

Excel Enbeam 4 Port Multimode MTP Key Aligned ExpressNet Module

Item Code: 201-604

excel
without compromise.



4 Port MTP coupler module

Compatible with ExpressNet panel

Allows up to 4 trunk cables

Multimode

Key aligned adaptor

CIBSE TM65 Embodied Carbon: 1.606 kg CO2e

Product Overview

The Excel 4 Port MTP ExpressNet modules are fitted with MTP adapters and allow the incoming trunk cable to be presented into the module through the open back of the module and secured with a cable tie on the inside. After the trunk cables are connected, the module can be simply fitted to one of the compatible Excel ExpressNet Patch Panels permitting different categories of Fibre and Copper to be presented on the same panel without interference. The modules are easily fitted and removed from the rear of the patch panel by activating the release latches.

Product Specifications

Feature	Values
Suitable for number of fibre cores	48
With coupling/adaptor	yes
Type of connector external	MTP
Fibre type	Multi mode
Colour	Black

Excel Enbeam 4 Port Multimode MTP Key Aligned ExpressNet Module

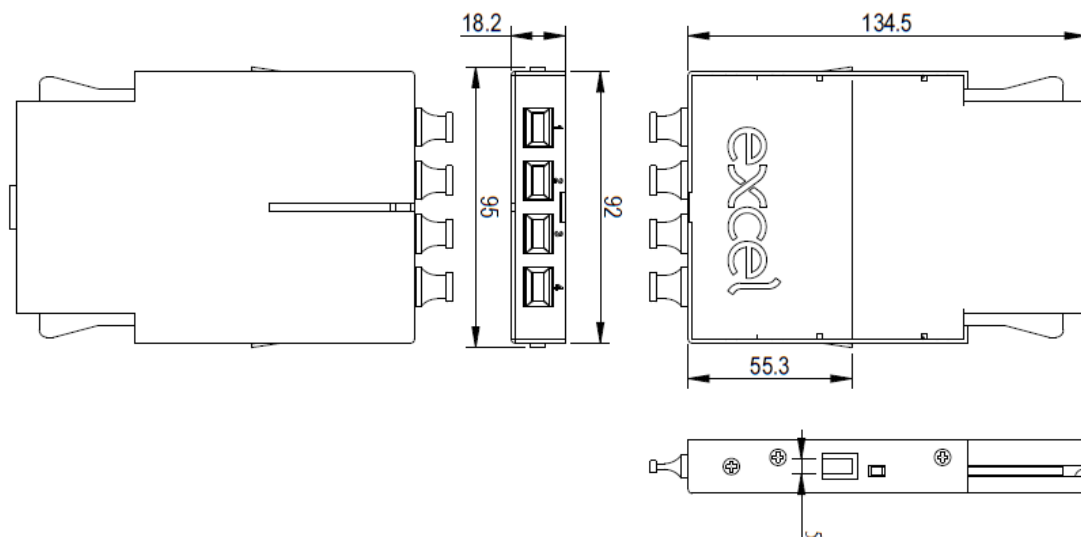
Item Code: 201-604



Additional specifications

Features	Values
Width	92mm
Depth	134.5mm
Height	18.2mm
Material	Cold rolled steel
Material thickness	1.2mm
Material coating	Powder Coating
Operating temperature	-40 to +80 °C
Colour	Black

Product drawing



Excel Enbeam 4 Port Multimode MTP Key Aligned ExpressNet Module

Item Code: 201-604



Standards

Applicable standard	Detail
Directive 2011/65/EU (RoHS II)	Restriction of the Use of Certain Hazardous Substances in Electrical and Electronic Equipment — compliant. Applies within EU member states).
Directive (EU) 2015/863 (RoHS III)	Amending Directive 2011/65/EU to add four phthalates (DEHP, BBP, DBP, DIBP) to Annex II — compliant.
IEC 61754-1:2013	Fibre optic interconnecting devices and passive components - Fibre optic connector interfaces - Part 1: General and guidance
ISO/IEC 11801-1:2017	Information technology - Generic cabling for customer premises: Part 1 General Requirements
EN 50173-1:2018	Information technology. Generic cabling systems - General requirements
Directive 2008/98/EC (WFD)	Waste Framework Directive — compliant. Implemented in the UK through the Waste (England and Wales) Regulations 2011 (SI 2011 No. 988).
ECHA SCIP Database	Compliant; product does not contain SVHCs (Substances of Very High Concern) as defined under REACH Article 33(1). Submission obligations met under EU REACH and UK REACH.
Regulation (EU) 2019/1021 (POPs)	EU Regulation on Persistent Organic Pollutants — compliant. For Great Britain, compliance is aligned with the Persistent Organic Pollutants (Amendment) (EU Exit) Regulations 2020 (SI 2020 No. 1355).
UK SI 2012 No. 3032	The Restriction of the Use of Certain Hazardous Substances in Electrical and Electronic Equipment Regulations 2012 (UK RoHS) — compliant for Great Britain. Retained EU law, as amended by the Product Safety and Metrology (Amendment etc.) (EU Exit) Regulations 2019.

Part Number Table

Part Number	Description
201-603	Excel Enbeam 4 Port Singlemode APC MTP Key Opposed ExpressNet Module
201-604	Excel Enbeam 4 Port Multimode MTP Key Aligned ExpressNet Module

Excel is a world class premium performing end to end infrastructure solution designed, Manufactured, supported and delivered without compromise.

Contact us at sales@excel-networking.com



E&OE. Excel is a registered trade name of Mayflex Holdings Ltd.