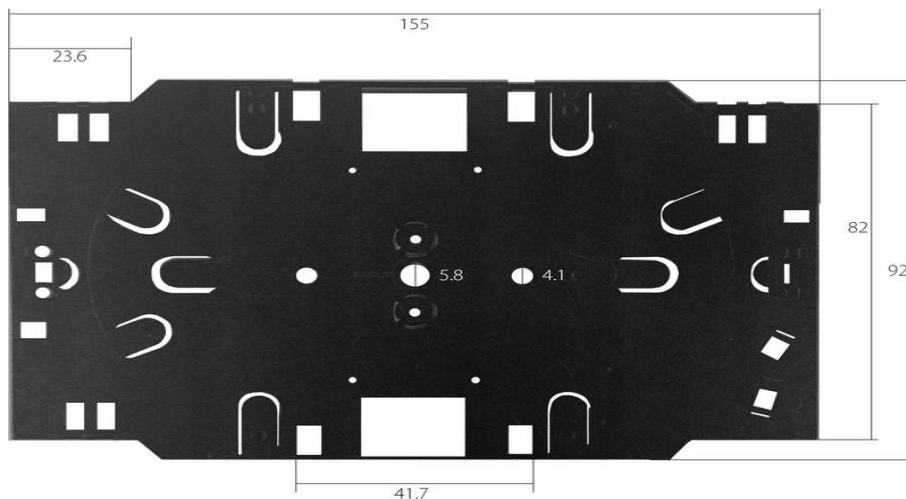


# Excel Enbeam Splice Cassette

Part Code: 202-105

sales@excel-networking.com  
excel-networking.com

CIBSE TM65 Embodied Carbon: 0.317 kg CO2e



## Main Features

- / Compact Splice Tray
- / Holds up to 16 Splices with optional Splice Holders
- / Optional Splice Holders and Hinges
- / Stackable
- / CIBSE TM65 Embodied Carbon: 0.317 kg CO2e

## Product Overview

The Excel fibre splice tray is designed to manage up to 16 fibres per tray limiting the bend radius of the optical fibre ensuring peak performance. Only to be used with Splice Holders 202-106 and 2mm x 45mm Splice Protectors 200-399.

## Product Specifications

Feature	Values
---------	--------

**Part Code: 202-105**

sales@excel-networking.com  
excel-networking.com

Type of accessory/spare part

**Mounting plate**

## Standards

Applicable standard	Detail
Directive 2011/65/EU (RoHS II)	Restriction of the Use of Certain Hazardous Substances in Electrical and Electronic Equipment — compliant. Applies within EU member states).
Directive (EU) 2015/863 (RoHS III)	Amending Directive 2011/65/EU to add four phthalates (DEHP, BBP, DBP, DIBP) to Annex II — compliant.
Directive 2008/98/EC (WFD)	Waste Framework Directive — compliant. Implemented in the UK through the Waste (England and Wales) Regulations 2011 (SI 2011 No. 988).
ECHA SCIP Database	Compliant; product does not contain SVHCs (Substances of Very High Concern) as defined under REACH Article 33(1). Submission obligations met under EU REACH and UK REACH.
Regulation (EU) 2019/1021 (POPs)	EU Regulation on Persistent Organic Pollutants — compliant. For Great Britain, compliance is aligned with the Persistent Organic Pollutants (Amendment) (EU Exit) Regulations 2020 (SI 2020 No. 1355).
UK SI 2012 No. 3032	The Restriction of the Use of Certain Hazardous Substances in Electrical and Electronic Equipment Regulations 2012 (UK RoHS) — compliant for Great Britain. Retained EU law, as amended by the Product Safety and Metrology (Amendment etc.) (EU Exit) Regulations 2019.

## Part Code Table

Part Code	Description
200-120	<b>Excel Enbeam Self Adhesive Twist Clips 9.2 mm/26.1 mm (100-Pack)</b>

# Excel Enbeam Splice Cassette

Part Code: 202-105

sales@excel-networking.com  
excel-networking.com

200-125	Excel Enbeam S24 Splice Tray for FOSC Type A Closure
200-367	Excel Enbeam SC Duplex Clip Beige
200-367-AQ	Excel Enbeam SC Duplex Clip Aqua
200-367-BL	Excel Enbeam SC Duplex Clip Blue
200-367-VT	Excel Enbeam SC Duplex Clip Violet
200-391	Excel Enbeam Splice Holder 24 Way
200-395	Excel Enbeam Blanking Plug SC Duplex / LC Quad
200-396	Excel Enbeam 48 Way Splice Holder
200-903	Excel Enbeam Epoxy 3cc Syringe and Needle (5-Pack)
200-906	Excel Enbeam Lint Free Dry Cleaning Wipes (100-Pack)
200-911	Excel Enbeam Pre-saturated IPA Cleaning Wipes (80-Pack)
200-922	Excel Enbeam Fibre/Sharps Waste Disposal Bin
200-930	Excel Enbeam Blanking Plug LC Duplex / SC Simplex
202-080	Enbeam Cold-Cure Fibre Connector Adhesive and Activator
202-094	Excel Enbeam Isopropyl Alcohol (IPA) 1 Litre
202-096	Excel Enbeam PG 11 Cable Glands with Strain Relief For Cable sizes 4 - 10 mm
202-097	Excel Enbeam PG 13.5 Cable Glands with Strain Relief For Cable sizes 6 - 12 mm
202-098	Excel Enbeam PG 16 Cable Glands with Strain Relief For Cable sizes 9 - 14 mm
202-105	Excel Enbeam Splice Cassette
202-106	Excel Enbeam Splice Holder 8 Splices
202-112	Fibre Protection Tubes 2.5mm
202-114	Air Duster - Compressed Air Canister
208-023	Excel Enbeam LC Connector Extraction Tool
208-172	Excel Enbeam Adaptor Extraction Tool