

Excel Enbeam OS2 Fibre Optic Patch Lead Uniboot LC-LC Singlemode 9/125 DX LS0H Yellow 5 m

excel
without compromise.

Part Code: 202-405

sales@excel-networking.com
excel-networking.com



Main Features

- / Available in OM3/OM4/OS2
- / Low Loss Connectors
- / Easy polarity change
- / 100% Optically Tested
- / Very small 2mm diameter cable
- / 25 Year system warranty

Product Overview

Excel's range of LC Uniboot patch cords provide excellent performance in a compact design, using 2 mm round cable containing 2 x 600 micron diameter fibres, which are ideal in high density applications. They are available in a choice of OM3, OM4 or OS2 bend-insensitive fibre.

These patch cords are available in two versions - standard uniboot and pull-tab version. Both versions allow for easy polarity changing.

Product Specifications

Excel Enbeam OS2 Fibre Optic Patch Lead Uniboot LC-LC Singlemode 9/125 DX LS0H Yellow 5 m

Part Code: 202-405

sales@excel-networking.com
excel-networking.com

Feature	Values
Fibre type	Single mode
Category	OS2
Number of Cores	2
Outer diameter sheath single fibre	2 mm
Cable type	Duplex
Length	5 m
Type of connector connection 1	LC (Uniboot)
Type of connector connection 2	LC (Uniboot)
Outer sheath colour	Yellow
Strain relief boot	Push-on
Flame retardant according to IEC 60332-1-2	yes
Low smoke (acc. IEC 61034-2)	yes

Cable specifications

Features	Values
Cable Construction	Round Duplex
No. of Fibres	2
Cable Nominal Diameter	2.0 mm
Colour	Yellow
Strength members	Aramid Yarn
Temperature range	-20 °C to +70 °C
Connector Material	Composite
Minimum bend radius (loaded)	10 x cable diameter

Excel Enbeam OS2 Fibre Optic Patch Lead Uniboot LC-LC Singlemode 9/125 DX LS0H Yellow 5 m

Part Code: 202-405

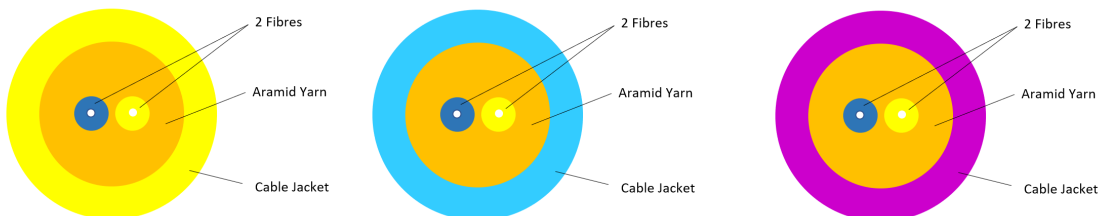
sales@excel-networking.com
excel-networking.com

Connector Ferrule	1.25 mm Ceramic
Ferrule End Face	UPC Polish
Connector Insertion Loss	Max. 0.3 dB

Fibre specifications

Features	OS2
Fibre Attenuation @ 1310nm	Less than 0.35 dB/km
Fibre Attenuation @ 1550nm	Less than 0.20 dB/km
Connector IL - Typical	0.15 dB
Connector IL - Max	0.3 dB
Connector Return Loss	Less than -50 dB

Cross-section diagram

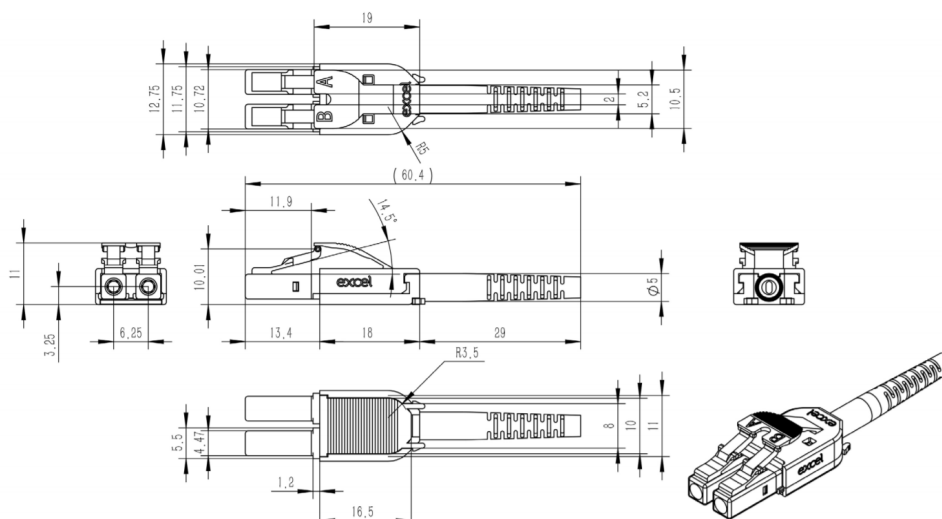


Excel Enbeam OS2 Fibre Optic Patch Lead Uniboot LC-LC Singlemode 9/125 DX LS0H Yellow 5 m

Part Code: 202-405

sales@excel-networking.com
excel-networking.com

Product drawing



Standards

Applicable standard	Detail
BS EN 60332-1-2:2004+A11:2016	Tests on electric and optical fibre cables under fire conditions - Test for vertical flame propagation for a single insulated wire or cable. Procedure for 1 kW pre-mixed flame
IEC 60793-1-1:2022	Optical fibres - Part 1-1: Measurement methods and test procedures - General and guidance
IEC 60793-2:2015	Optical fibres - Part 2: Product specifications - General
IEC 60793-2-10:2017	Sectional specification for A1 multimode fibres
IEC 60793-1-20:2014	Optical fibres - Part 1-20: Measurement methods and test procedures - Fibre geometry
IEC 60793-1-21:2001	Optical fibres - Part 1-21: Measurement methods and test procedures - Coating geometry
IEC 60793-1-22:2001	Optical fibres - Part 1-22: Measurement methods and test procedures - Length measurement

Excel Enbeam OS2 Fibre Optic Patch Lead Uniboot LC-LC Singlemode 9/125 DX LS0H Yellow 5 m

Part Code: 202-405

sales@excel-networking.com
excel-networking.com

IEC 60793-1-30:2010	Optical fibres - Part 1-30: Measurement methods and test procedures - Fibre proof test
IEC 60793-1-31:2010	Optical fibres - Part 1-31: Measurement methods and test procedures - Tensile Strength
ITU-T G.652:2016	Characteristics of a single-mode optical fibre and cable
ITU-T G.657:2016	Characteristics of a bending-loss insensitive single-mode optical fibre and cable
EN 50173-1:2018	Information technology. Generic cabling systems - General requirements
EN 50173-2:2007 + A1:2010	Information technology. Generic cabling systems - Office premises
IEC 61754-1:2013	Fibre optic interconnecting devices and passive components - Fibre optic connector interfaces - Part 1: General and guidance
IEC 61754-2:1996	Fibre optic connector interfaces - Part 2: Type BFOC/2,5 connector family
IEC 61754-4:2013	Fibre optic interconnecting devices and passive components - Fibre optic connector interfaces - Part 4: Type SC connector family
IEC 61754-4-100:2015	Fibre optic interconnecting devices and passive components - Fibre optic connector interfaces - Part 4-100: Type SC connector family - Simplified receptacle SC-PC connector interfaces
IEC 61754-4-100:2015	Fibre optic interconnecting devices and passive components - Fibre optic connector interfaces - Part 4-100: Type SC connector family - Simplified receptacle SC-PC connector interfaces
ISO/IEC 11801-1:2017	Information technology - Generic cabling for customer premises: Part 1 General Requirements
Directive 2011/65/EU (RoHS II)	Restriction of the Use of Certain Hazardous Substances in Electrical and Electronic Equipment — compliant. Applies within EU member states).
Directive (EU) 2015/863 (RoHS III)	Amending Directive 2011/65/EU to add four phthalates (DEHP, BBP, DBP, DIBP) to Annex II — compliant.

Excel Enbeam OS2 Fibre Optic Patch Lead Uniboot LC-LC Singlemode 9/125 DX LS0H Yellow 5 m

Part Code: 202-405

sales@excel-networking.com
excel-networking.com

Directive 2008/98/EC (WFD)

Waste Framework Directive — compliant. Implemented in the UK through the Waste (England and Wales) Regulations 2011 (SI 2011 No. 988).

ECHA SCIP Database

Compliant; product does not contain SVHCs (Substances of Very High Concern) as defined under REACH Article 33(1). Submission obligations met under EU REACH and UK REACH.

Regulation (EU) 2019/1021 (POPs)

EU Regulation on Persistent Organic Pollutants — compliant. For Great Britain, compliance is aligned with the Persistent Organic Pollutants (Amendment) (EU Exit) Regulations 2020 (SI 2020 No. 1355).

UK SI 2012 No. 3032

The Restriction of the Use of Certain Hazardous Substances in Electrical and Electronic Equipment Regulations 2012 (UK RoHS) — compliant for Great Britain. Retained EU law, as amended by the Product Safety and Metrology (Amendment etc.) (EU Exit) Regulations 2019.

Part Code Table

Part Code	Description
202-400	Excel Enbeam OS2 Fibre Optic Patch Lead Uniboot LC-LC Singlemode 9/125 DX LS0H Yellow 0.5 m
202-401	Excel Enbeam OS2 Fibre Optic Patch Lead Uniboot LC-LC Singlemode 9/125 DX LS0H Yellow 1 m
202-402	Excel Enbeam OS2 Fibre Optic Patch Lead Uniboot LC-LC Singlemode 9/125 DX LS0H Yellow 2 m
202-403	Excel Enbeam OS2 Fibre Optic Patch Lead Uniboot LC-LC Singlemode 9/125 DX LS0H Yellow 3 m
202-405	Excel Enbeam OS2 Fibre Optic Patch Lead Uniboot LC-LC Singlemode 9/125 DX LS0H Yellow 5 m
202-410	Excel Enbeam OS2 Fibre Optic Patch Lead Uniboot LC-LC Singlemode 9/125 DX LS0H Yellow 10 m
202-415	Excel Enbeam OS2 Fibre Optic Patch Lead Uniboot LC-LC Singlemode 9/125 DX

Excel Enbeam OS2 Fibre Optic Patch Lead Uniboot LC-LC
Singlemode 9/125 DX LSOH Yellow 5 m



Part Code: 202-405

sales@excel-networking.com
excel-networking.com

LSOH Yellow 15 m

202-420

Excel Enbeam OS2 Fibre Optic Patch Lead Uniboot LC-LC Singlemode 9/125 DX
LSOH Yellow 20 m