

Enbeam OS2 Fibre Optic Patch Lead Uniboot LC-LC Singlemode 9/125 Duplex LS0H Yellow 15m

Item Code: 202-415

excel
without compromise.



✕ Available in OM3/OM4/OS2

✕ 100% Optically Tested

✕ Low Loss Connectors

✕ Very small 2mm diameter cable

✕ Easy polarity change

✕ 25 Year system warranty

Product Overview

Excel's range of LC Uniboot patch cords provide excellent performance in a compact design, using 2mm round cable containing 2 x 600 micron diameter fibres, which are ideal in high density applications. They are available in a choice of OM3, OM4 or OS2 bend-insensitive fibre.

These patch cords are available in two versions - standard uniboot and pull-tab version. Both versions allow for easy polarity changing.

Product Specifications

Feature	Values
Fibre type	Single mode
Category	OS2
Number of Cores	2
Outer diameter sheath single fibre	2 mm
Cable type	Duplex
Length	15 m
Type of connector connection 1	LC (Uniboot)
Type of connector connection 2	LC (Uniboot)
Outer sheath colour	Yellow
Strain relief boot	Push-on

Enbeam OS2 Fibre Optic Patch Lead Uniboot LC-LC Singlemode 9/125 Duplex LS0H Yellow 15m

Item Code: 202-415



Flame retardant	In accordance with EN 60332-1-2
Low smoke	In accordance with IEC/EN 61034-2

Cable specifications

Features	Values
Cable Construction	Round Duplex
No. of Fibres	2
Cable Nominal Diameter	2.0mm
Colour	Yellow
Strength members	Aramid Yarn
Temperature range	-20C to +70C
Connector Material	Composite
Minimum bend radius (loaded)	10 x cable diameter
Connector Ferrule	1.25mm Ceramic
Ferrule End Face	UPC Polish
Connector Insertion Loss	Max. 0.3dB

Fibre specifications

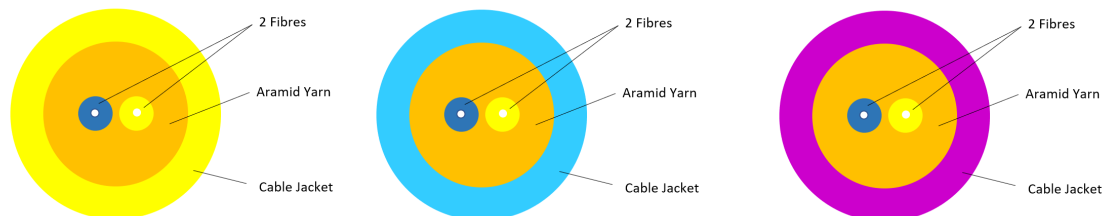
Features	OS2
Fibre Attenuation @ 1310nm	Less than 0.35dB/km
Fibre Attenuation @ 1550nm	Less than 0.20dB/km
Connector IL - Typical	0.15dB
Connector IL - Max	0.3dB
Connector Return Loss	Less than -50dB

Enbeam OS2 Fibre Optic Patch Lead Uniboot LC-LC Singlemode 9/125 Duplex LS0H Yellow 15m

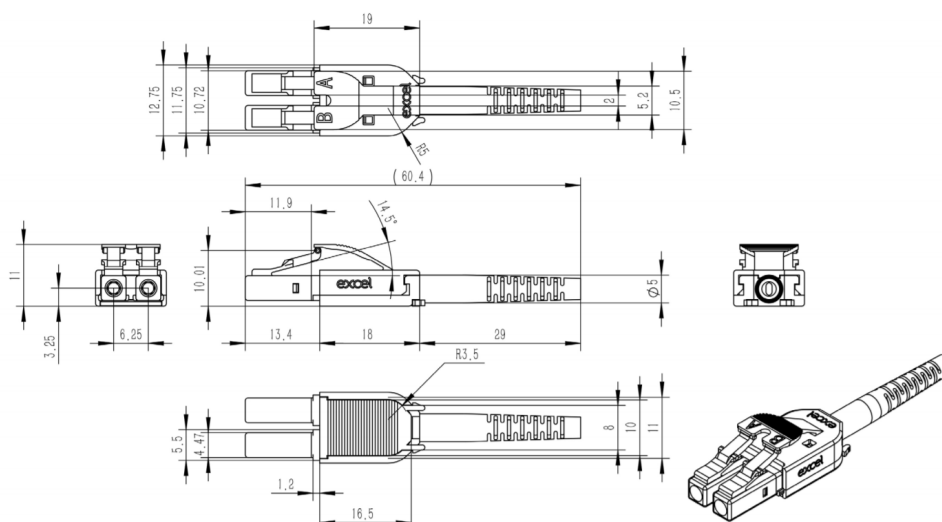
Item Code: 202-415



Cross-section diagram



Product drawing



Standards

Applicable standard	Detail
IEC 60793-1-1:2017	Optical fibres - Part 1-1: Measurement methods and test procedures - General and guidance
IEC 60793-2:2015	Optical fibres - Part 2: Product specifications - General
IEC 60793-2-10:2017	Sectional specification for A1 multimode fibres
IEC 60793-1-20:2014	Optical fibres - Part 1-20: Measurement methods and test procedures - Fibre geometry
IEC 60793-1-21:2001	Optical fibres - Part 1-21: Measurement methods and test procedures - Coating geometry
IEC 60793-1-22:2001	Optical fibres - Part 1-22: Measurement methods and test procedures - Length measurement
IEC 60793-1-30:2010	Optical fibres - Part 1-30: Measurement methods and test

Enbeam OS2 Fibre Optic Patch Lead Uniboot LC-LC Singlemode 9/125 Duplex LS0H Yellow 15m

Item Code: 202-415



	procedures - Fibre proof test
IEC 60793-1-31:2010	Optical fibres - Part 1-31: Measurement methods and test procedures - Tensile Strength
ITU-T G.652:2016	Characteristics of a single-mode optical fibre and cable
ITU-T G.657:2016	Characteristics of a bending-loss insensitive single-mode optical fibre and cable
EN 50173-1:2011	Information technology. Generic cabling systems - General requirements
EN 50173-2:2007 + A1:2010	Information technology. Generic cabling systems - Office premises
IEC 61754-1:2013	Fibre optic interconnecting devices and passive components - Fibre optic connector interfaces - Part 1: General and guidance
IEC 61754-2:1996	Fibre optic connector interfaces - Part 2: Type BFOC/2,5 connector family
IEC 61754-4:2013	Fibre optic interconnecting devices and passive components - Fibre optic connector interfaces - Part 4: Type SC connector family
IEC 61754-4-100:2015	Fibre optic interconnecting devices and passive components - Fibre optic connector interfaces - Part 4-100: Type SC connector family - Simplified receptacle SC-PC connector interfaces
IEC 61754-4-100:2015	Fibre optic interconnecting devices and passive components - Fibre optic connector interfaces - Part 4-100: Type SC connector family - Simplified receptacle SC-PC connector interfaces
ISO/IEC 11801-1:2017	Information technology - Generic cabling for customer premises: Part 1 General Requirements
RoHS	Restriction of Hazardous Substances - Compliant

Part Number Table

Part Number	Description
202-400	Enbeam OS2 Fibre Optic Patch Lead Uniboot LC-LC Singlemode 9/125 Duplex LS0H Yellow 0.5m
202-401	Enbeam OS2 Fibre Optic Patch Lead Uniboot LC-LC Singlemode 9/125 Duplex LS0H Yellow 1m
202-402	Enbeam OS2 Fibre Optic Patch Lead Uniboot LC-LC Singlemode 9/125 Duplex LS0H Yellow 2m
202-403	Enbeam OS2 Fibre Optic Patch Lead Uniboot LC-LC Singlemode 9/125 Duplex LS0H Yellow 3m

Enbeam OS2 Fibre Optic Patch Lead Uniboot LC-LC Singlemode 9/125 Duplex LS0H Yellow 15m

Item Code: 202-415



202-405	Enbeam OS2 Fibre Optic Patch Lead Uniboot LC-LC Singlemode 9/125 Duplex LS0H Yellow 5m
202-410	Enbeam OS2 Fibre Optic Patch Lead Uniboot LC-LC Singlemode 9/125 Duplex LS0H Yellow 10m
202-415	Enbeam OS2 Fibre Optic Patch Lead Uniboot LC-LC Singlemode 9/125 Duplex LS0H Yellow 15m
202-420	Enbeam OS2 Fibre Optic Patch Lead Uniboot LC-LC Singlemode 9/125 Duplex LS0H Yellow 20m

Excel is a world class premium performing end to end infrastructure solution designed, Manufactured, supported and delivered without compromise.

Contact us at sales@excel-networking.com



E&OE. Excel is a registered trade name of Mayflex Holdings Ltd.