

# Excel 1U Front Management Bar with Label Holder

Part Code: 203-525

sales@excel-networking.com  
excel-networking.com

CIBSE TM65 Embodied Carbon: 2.949 kg CO2e



## Main Features

- / Mounting hardware supplied 4 x screws
- / 100mm deep
- / CIBSE TM65 Embodied Carbon: 2.949 kg CO2e
- / 17.5" wide
- / 25 Years system warranty

## Product Overview

Enbeam optional patch cord management bar with hinged front plate for ease of access. Behind the front plate is a full width/full height labelling field. This management bar can easily be attached and removed

## Product Specifications

Feature	Values
---------	--------

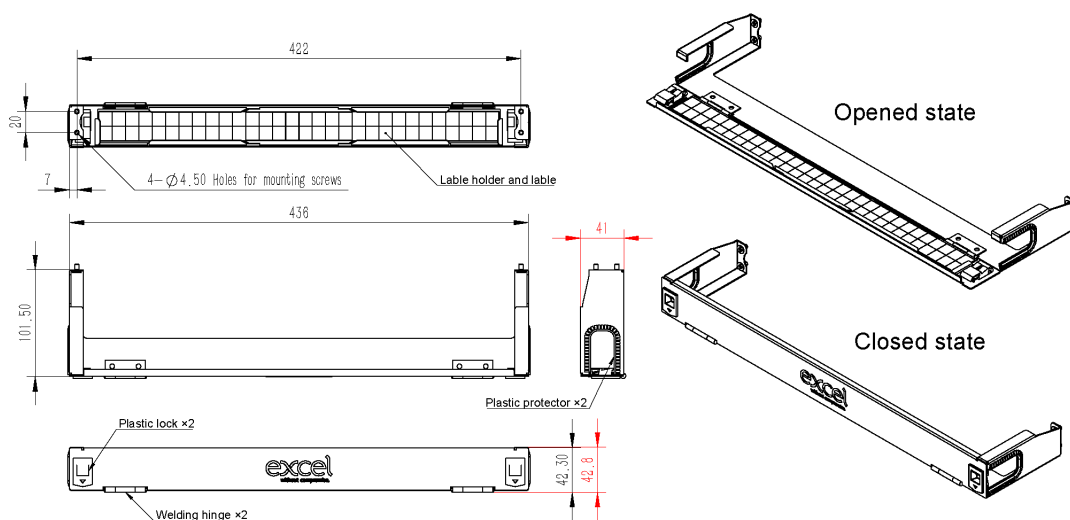
# Excel 1U Front Management Bar with Label Holder

**Part Code: 203-525**

sales@excel-networking.com  
excel-networking.com

Model	Front Management bar
Material	Metal
Suitable for 19 inch mounting	no
Number of rack units (RU)	1

## Product drawing



## Standards

Applicable standard	Detail
Directive 2011/65/EU (RoHS II)	Restriction of the Use of Certain Hazardous Substances in Electrical and Electronic Equipment — compliant. Applies within EU member states).
Directive (EU) 2015/863 (RoHS III)	Amending Directive 2011/65/EU to add four phthalates (DEHP, BBP, DBP, DIBP) to Annex II — compliant.
Directive 2008/98/EC (WFD)	Waste Framework Directive — compliant. Implemented in the UK through the Waste (England and Wales) Regulations 2011 (SI 2011 No. 988).

# Excel 1U Front Management Bar with Label Holder

**Part Code: 203-525**

[sales@excel-networking.com](mailto:sales@excel-networking.com)  
[excel-networking.com](http://excel-networking.com)

ECHA SCIP Database

Compliant; product does not contain SVHCs (Substances of Very High Concern) as defined under REACH Article 33(1). Submission obligations met under EU REACH and UK REACH.

Regulation (EU) 2019/1021 (POPs)

EU Regulation on Persistent Organic Pollutants — compliant. For Great Britain, compliance is aligned with the Persistent Organic Pollutants (Amendment) (EU Exit) Regulations 2020 (SI 2020 No. 1355).

UK SI 2012 No. 3032

The Restriction of the Use of Certain Hazardous Substances in Electrical and Electronic Equipment Regulations 2012 (UK RoHS) — compliant for Great Britain. Retained EU law, as amended by the Product Safety and Metrology (Amendment etc.) (EU Exit) Regulations 2019.

## Part Code Table

Part Code	Description
203-525	<b>Excel 1U Front Management Bar with Label Holder</b>