

Excel Encasa Customer Access Point With 30 m of G.657.B3 Fibre SCA (10-Pack)

Part Code: 207-001-10

sales@excel-networking.com
excel-networking.com



Main Features

- / Suitable for internal use only
- / Pre-terminated SCAPC
- / Factory assembled
- / 30 m of spooled fibre
- / No splicing required
- / G.657.B3 bend insensitive

Product Overview

The Excel Encasa discreet cabling solution has been designed for installation into any household or multi dwelling application. The outlets unique spooling mechanism houses 30 m of 900 μm micro-fibre, this fibre can be discreetly deployed around the interior of the property and retracted to remove any slack fibre.

With the use of the supplied adhesive the fibre is fixed to the wall above skirting or around the edge of the ceiling and once dry is almost invisible to the naked eye.

Each kit is supplied with, adhesive, wall fixings and cavity wall tool to assist in passing fibre through walls.

Excel Encasa Customer Access Point With 30 m of G.657.B3 Fibre SCA (10-Pack)

Part Code: 207-001-10

sales@excel-networking.com
excel-networking.com

Product Specifications

Feature	Values
Surface mounted	yes
Type of connector	SC/APC simplex
With couplers	yes
Suitable for number of couplers	1
Suitable for type of fibre	Single mode
Colour coding	yes

Additional specifications

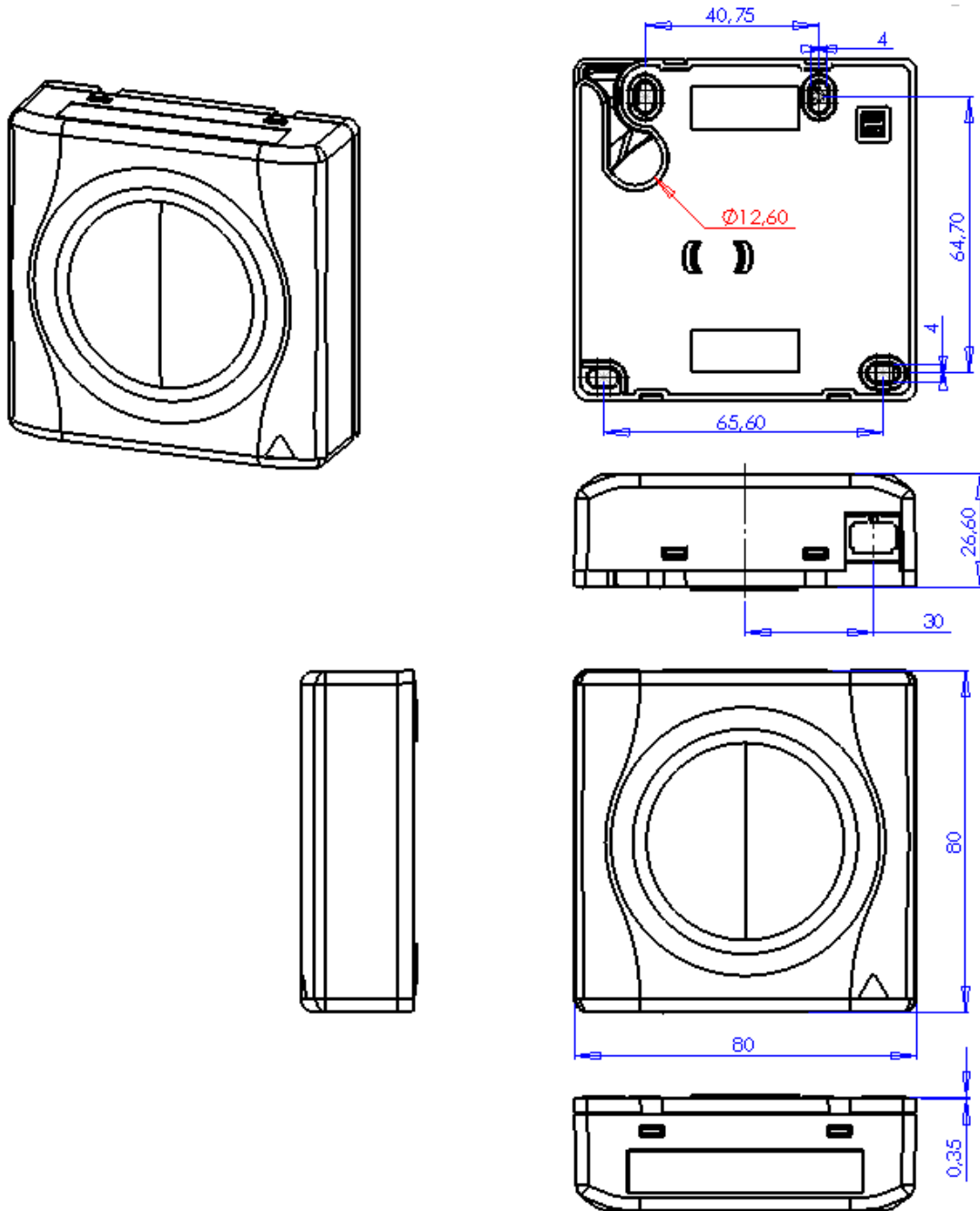
Features	Values
Fibers color	White
Tight buffer material	LSZH
Cable diameter	900 um
Bend insensitive	G.657.B3
Operating temperature	-25 to +70 °C

Excel Encasa Customer Access Point With 30 m of G.657.B3 Fibre SCA (10-Pack)

Part Code: 207-001-10

sales@excel-networking.com
excel-networking.com

Product drawings



Excel Encasa Customer Access Point With 30 m of G.657.B3 Fibre SCA (10-Pack)

Part Code: 207-001-10

sales@excel-networking.com
excel-networking.com

Standards

Applicable standard	Detail
IEC 61754-1:2013	Fibre optic interconnecting devices and passive components - Fibre optic connector interfaces - Part 1: General and guidance
ISO/IEC 11801-1:2017	Information technology - Generic cabling for customer premises: Part 1 General Requirements
EN 50173-1:2018	Information technology - Generic cabling systems - General requirements
UL-94-V-0	Burning stops within 10 seconds after two applications of ten seconds each of a flame to a test bar. NO flaming drips are allowed.
Directive 2011/65/EU (RoHS II)	Restriction of the Use of Certain Hazardous Substances in Electrical and Electronic Equipment — compliant. Applies within EU member states).
Directive (EU) 2015/863 (RoHS III)	Amending Directive 2011/65/EU to add four phthalates (DEHP, BBP, DBP, DIBP) to Annex II — compliant.
Directive 2008/98/EC (WFD)	Waste Framework Directive — compliant. Implemented in the UK through the Waste (England and Wales) Regulations 2011 (SI 2011 No. 988).
ECHA SCIP Database	Compliant; product does not contain SVHCs (Substances of Very High Concern) as defined under REACH Article 33(1). Submission obligations met under EU REACH and UK REACH.
Regulation (EU) 2019/1021 (POPs)	EU Regulation on Persistent Organic Pollutants — compliant. For Great Britain, compliance is aligned with the Persistent Organic Pollutants (Amendment) (EU Exit) Regulations 2020 (SI 2020 No. 1355).
UK SI 2012 No. 3032	The Restriction of the Use of Certain Hazardous Substances in Electrical and Electronic Equipment Regulations 2012 (UK RoHS) — compliant for Great Britain. Retained EU law, as amended by the Product Safety and Metrology (Amendment etc.) (EU Exit) Regulations 2019.

Excel Encasa Customer Access Point With 30 m of G.657.B3 Fibre SCA (10-Pack)

Part Code: 207-001-10

sales@excel-networking.com
excel-networking.com

Included accessories

Accessories	Quantity
Tubes of adhesive	10x35 ml
Cavity wall tool	1
Screws and rawl plugs	10 kits
Internal bend protector	30
External bend protector	30
Cable entry wall plugs	10

Part Code Table

Part Code	Description
207-001-10	Excel Encasa Customer Access Point With 30 m of G.657.B3 Fibre SCA (10-Pack)