

Excel Encasa Internal Point of Entry Box Unloaded White

Item Code: 207-200



✕ Multiple cable entry

✕ Slack cable storage

✕ Integrated cable management

✕ Splice holder

✕ 1 adaptor position

✕ CIBSE TM65 Embodied Carbon: 0.473 kg CO2e

Product Overview

The Excel Encasa point of entry box has been designed to allow fibre to be passed through the enclosure allowing fibre to be distributed to apartments in multi dwellings applications. The enclosure has multiple cable entry points, cable storage area, holds up to 2 splice protectors and has a single position to house either a simplex SC or LC duplex adaptor.

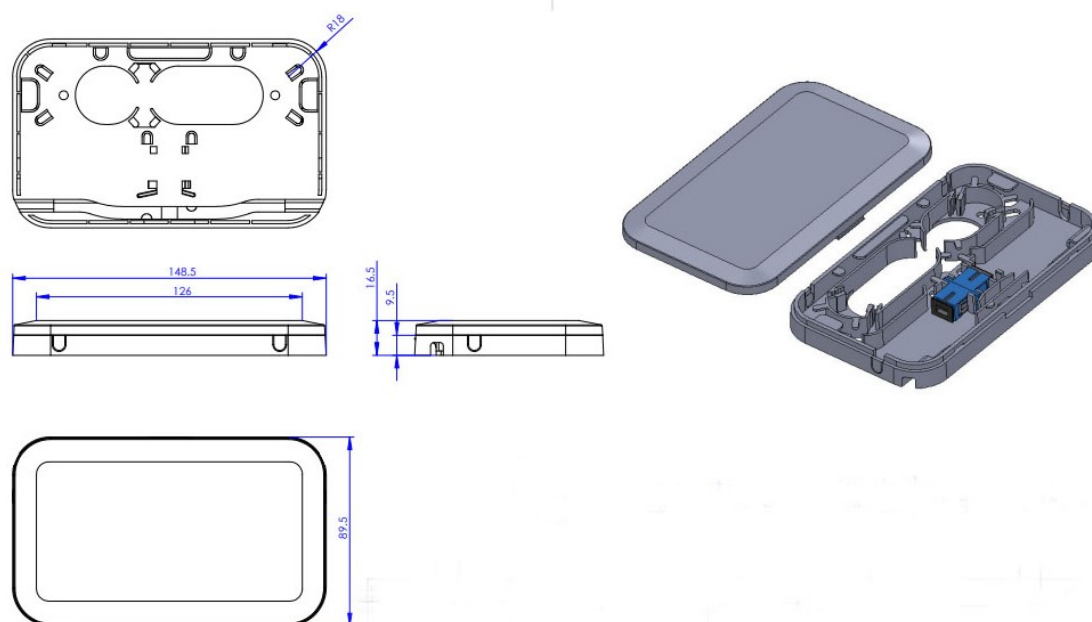
Product Specifications

Feature	Values
Surface mounted	yes
Type of connector	SC simplex LC duplex
With couplers	no
Suitable for number of couplers	1
Suitable for type of fibre	Multi mode/single mode

Additional specifications

Features	Values
Splicing capacity	2
Material	ABS
Colour	White
Operating temperature	-20 to +85 °C

Product drawings



Standards

Applicable standard	Detail
IEC 61754-1:2013	Fibre optic interconnecting devices and passive components - Fibre optic connector interfaces - Part 1: General and guidance
ISO/IEC 11801-1:2017	Information technology - Generic cabling for customer premises: Part 1 General Requirements
EN 50173-1:2018	Information technology - Generic cabling systems - General requirements
UL-94-V-0	Burning stops within 10 seconds after two applications of ten seconds each of a flame to a test bar. NO flaming drips are allowed.
RoHS-II/-III (2011/65/EU & 2015/863): 2023	Our products, demonstrate full adherence to the regulatory stipulations of the EU Directive 2011/65/EU (RoHS-II) and its corresponding delegated directive 2015/863 (RoHS-III).
WFD: 2023	Compliant to Waste Framework Directive
SCIP: 2023	Compliant - Does Not Contain Substances of Concern In articles as such or in complex objects (Products)
POPs (EU) No 2019/1021	EU Regulation for the restriction of Persistent Organic Pollutants.

Excel Encasa Internal Point of Entry Box Unloaded White

Item Code: 207-200



Included accessories

Accessories	Quantity
Splice protectors	1
Wall fixings	1 Set

Part Number Table

Part Number	Description
207-200	Excel Encasa Internal Point of Entry Box Unloaded White

Excel is a world class premium performing end to end infrastructure solution designed, Manufactured, supported and delivered without compromise.

Contact us at sales@excel-networking.com



E&OE. Excel is a registered trade name of Mayflex Holdings Ltd.