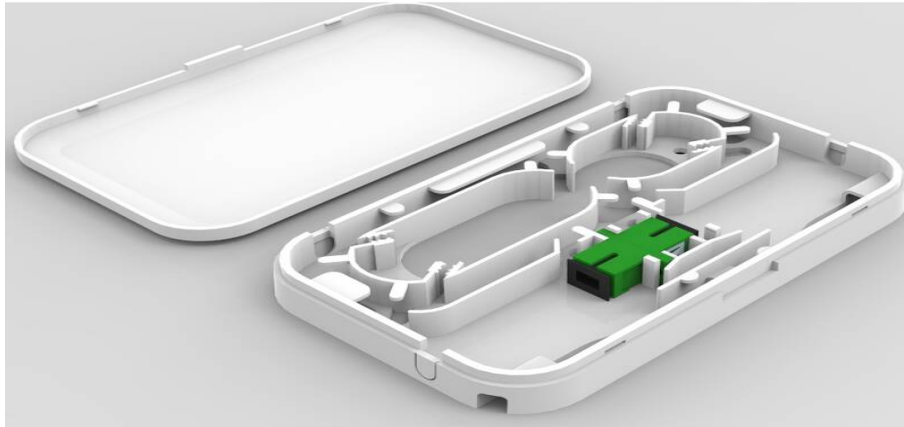


Excel Encasa Internal Point of Entry Box Loaded 1x SC/APC SX Adaptor SC/APC SM Pigtail 1 m

Part Code: 207-201

sales@excel-networking.com
excel-networking.com

CIBSE TM65 Embodied Carbon: 0.539 kg CO2e



Main Features

- / Multiple cable entry
- / Integrated cable management
- / 1 adaptor position
- / Slack cable storage
- / Splice holder
- / CIBSE TM65 Embodied Carbon: 0.539 kg CO2e

Product Overview

The Excel Encasa point of entry box has been designed to allow fibre to be passed through the enclosure allowing fibre to be distributed to apartments in multi dwelling applications.

The enclosure has multiple cable entry points, cable storage area, holds up to 2 splice protectors.

The enclosure comes loaded with 1 x SC/APC singlemode adaptor and a SC/APC 1 m pigtail.

Product Specifications

Excel Encasa Internal Point of Entry Box Loaded 1x SC/APC SX Adaptor SC/APC SM Pigtail 1 m

Part Code: 207-201

sales@excel-networking.com
excel-networking.com

Feature	Values
Surface mounted	yes
Type of connector	SC/APC simplex
With couplers	yes
Suitable for number of couplers	1
Suitable for type of fibre	Single mode
Width	148 mm
Height	89 mm
Depth	16 mm

Additional specifications

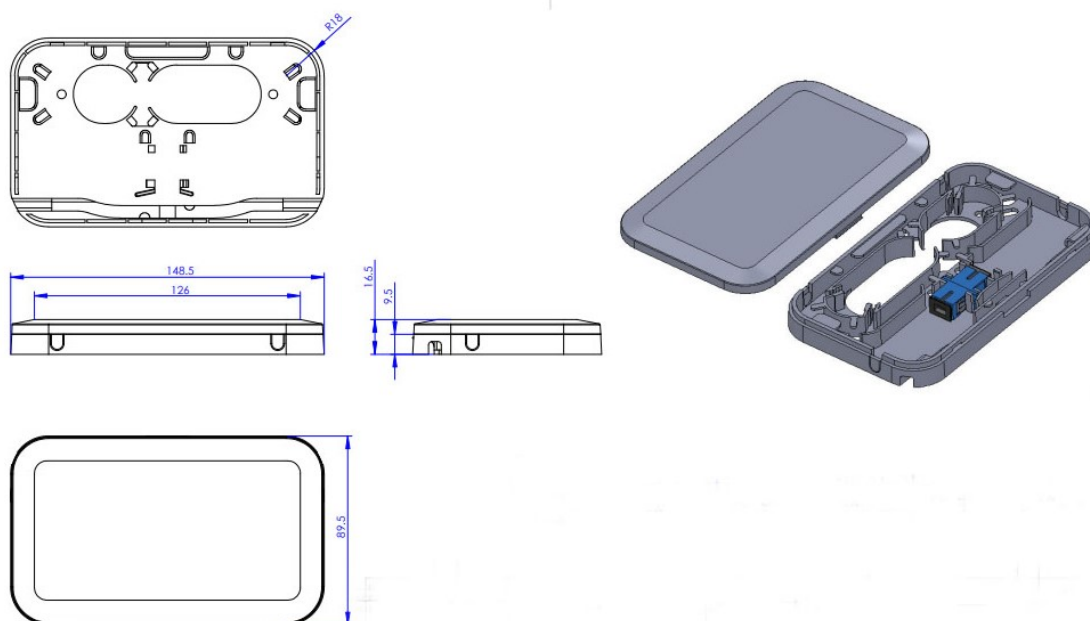
Features	Values
Splicing capacity	2
Material	ABS
Colour	White
Operation temperature	-20 to +85 °C

Excel Encasa Internal Point of Entry Box Loaded 1x SC/APC SX Adaptor SC/APC SM Pigtail 1 m

Part Code: 207-201

sales@excel-networking.com
excel-networking.com

Product drawings



Included accessories

Accessories	Quantity
Splice protectors	1
Wall fixings	1 Set

Standards

Applicable standard	Detail
IEC 61754-1:2013	Fibre optic interconnecting devices and passive components - Fibre optic connector interfaces - Part 1: General and guidance

Excel Encasa Internal Point of Entry Box Loaded 1x SC/APC SX Adaptor SC/APC SM Pigtail 1 m

Part Code: 207-201

sales@excel-networking.com
excel-networking.com

ISO/IEC 11801-1:2017	Information technology - Generic cabling for customer premises: Part 1 General Requirements
EN 50173-1:2018	Information technology. Generic cabling systems - General requirements
UL-94-V-0	Burning stops within 10 seconds after two applications of ten seconds each of a flame to a test bar. NO flaming drips are allowed.
Directive 2011/65/EU (RoHS II)	Restriction of the Use of Certain Hazardous Substances in Electrical and Electronic Equipment — compliant. Applies within EU member states).
Directive (EU) 2015/863 (RoHS III)	Amending Directive 2011/65/EU to add four phthalates (DEHP, BBP, DBP, DIBP) to Annex II — compliant.
Directive 2008/98/EC (WFD)	Waste Framework Directive — compliant. Implemented in the UK through the Waste (England and Wales) Regulations 2011 (SI 2011 No. 988).
ECHA SCIP Database	Compliant; product does not contain SVHCs (Substances of Very High Concern) as defined under REACH Article 33(1). Submission obligations met under EU REACH and UK REACH.
Regulation (EU) 2019/1021 (POPs)	EU Regulation on Persistent Organic Pollutants — compliant. For Great Britain, compliance is aligned with the Persistent Organic Pollutants (Amendment) (EU Exit) Regulations 2020 (SI 2020 No. 1355).
UK SI 2012 No. 3032	The Restriction of the Use of Certain Hazardous Substances in Electrical and Electronic Equipment Regulations 2012 (UK RoHS) — compliant for Great Britain. Retained EU law, as amended by the Product Safety and Metrology (Amendment etc.) (EU Exit) Regulations 2019.

Part Code Table

Part Code	Description
207-201	Excel Encasa Internal Point of Entry Box Loaded 1x SC/APC SX Adaptor SC/APC SM Pigtail 1 m

Excel Encasa Internal Point of Entry Box Loaded 1x SC/APC
SX Adaptor SC/APC SM Pigtail 1 m



Part Code: 207-201

sales@excel-networking.com
excel-networking.com