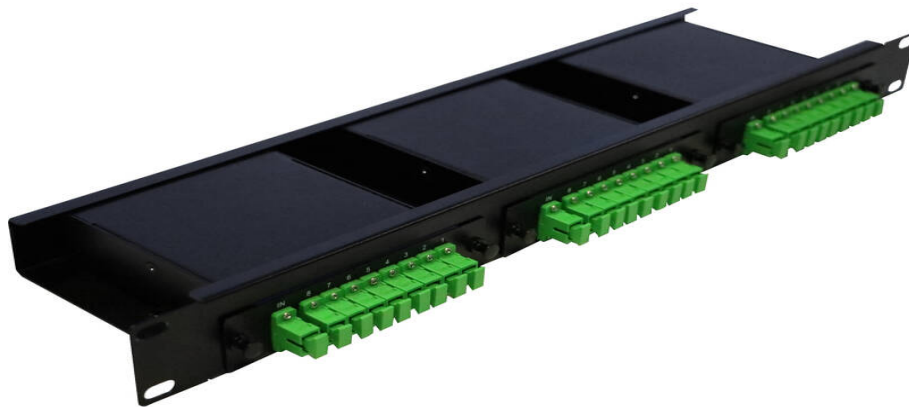


# Excel Enbeam LGX 1U 3 Module Panel

Part Code: 208-028

sales@excel-networking.com  
excel-networking.com

CIBSE TM65 Embodied Carbon: 4.285 kg CO2e



## Main Features

- / 19" rack mountable
- / 1U rack space
- / CIBSE TM65 Embodied Carbon: 4.285 kg CO2e
- / Holds 3 modules
- / Compact design

## Product Overview

The Excel 3 Module 1U Splitter Panel has been designed to fit 19" rack mounting profiles and houses up to 3 Excel splitter modules. Its decreased depth of 120mm allows the unit to be installed into street furniture or any 19" Communications Rack to form part of the Passive Optical Network (PON).

## Product Specifications

Feature	Values
---------	--------

# Excel Enbeam LGX 1U 3 Module Panel

**Part Code: 208-028**

[sales@excel-networking.com](mailto:sales@excel-networking.com)  
[excel-networking.com](http://excel-networking.com)

Suitable for number of module inserts	<b>3</b>
With pigtails	<b>no</b>
Colour	<b>Black</b>
RAL-number	<b>9005</b>
Mounting method	<b>482.6 mm (19 inch) mounting</b>
Number of rack units (RU)	<b>1</b>
Height	<b>43.8 mm</b>
Width	<b>483 mm</b>
Depth	<b>120 mm</b>

## Additional specifications

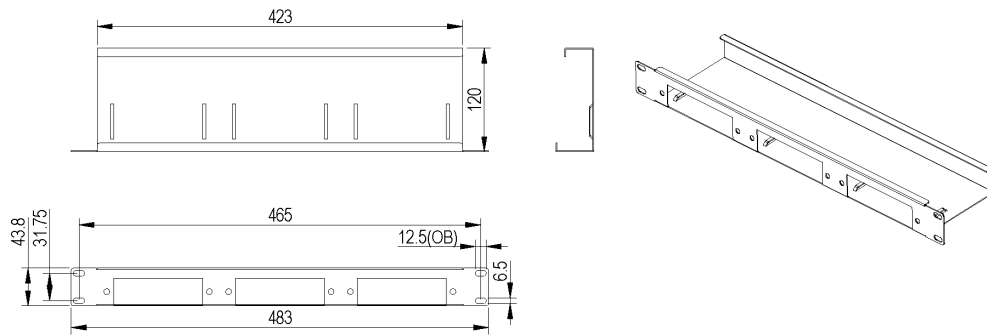
Features	Values
Operating temperature	<b>-40 to +80 °C</b>
IP rating	<b>IP20</b>
Material	<b>Cold rolled steel</b>
Material thickness	<b>2mm</b>
Material coating	<b>Powder Coating</b>

# Excel Enbeam LGX 1U 3 Module Panel

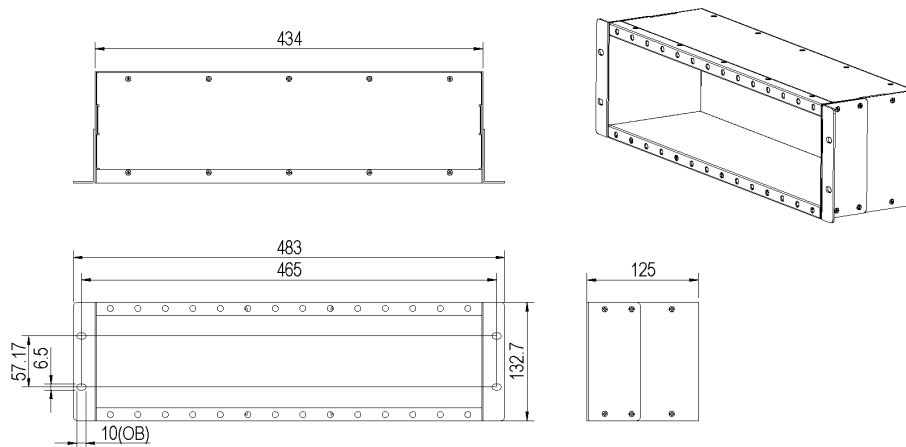
Part Code: 208-028

sales@excel-networking.com  
excel-networking.com

## Product drawing (3-module version)



## Product drawing (14-module version)



Part Code: 208-028

sales@excel-networking.com  
excel-networking.com

## Standards

Applicable standard	Detail
Directive 2011/65/EU (RoHS II)	Restriction of the Use of Certain Hazardous Substances in Electrical and Electronic Equipment — compliant. Applies within EU member states).
Directive (EU) 2015/863 (RoHS III)	Amending Directive 2011/65/EU to add four phthalates (DEHP, BBP, DBP, DIBP) to Annex II — compliant.
IEC 61754-1:2013	Fibre optic interconnecting devices and passive components - Fibre optic connector interfaces - Part 1: General and guidance
ISO/IEC 11801-1:2017	Information technology - Generic cabling for customer premises: Part 1 General Requirements
EN 50173-1:2018	Information technology. Generic cabling systems - General requirements
Directive 2008/98/EC (WFD)	Waste Framework Directive — compliant. Implemented in the UK through the Waste (England and Wales) Regulations 2011 (SI 2011 No. 988).
ECHA SCIP Database	Compliant; product does not contain SVHCs (Substances of Very High Concern) as defined under REACH Article 33(1). Submission obligations met under EU REACH and UK REACH.
Regulation (EU) 2019/1021 (POPs)	EU Regulation on Persistent Organic Pollutants — compliant. For Great Britain, compliance is aligned with the Persistent Organic Pollutants (Amendment) (EU Exit) Regulations 2020 (SI 2020 No. 1355).
UK SI 2012 No. 3032	The Restriction of the Use of Certain Hazardous Substances in Electrical and Electronic Equipment Regulations 2012 (UK RoHS) — compliant for Great Britain. Retained EU law, as amended by the Product Safety and Metrology (Amendment etc.) (EU Exit) Regulations 2019.

**Part Code: 208-028**

sales@excel-networking.com  
excel-networking.com

## Part Code Table

Part Code	Description
208-028	Excel Enbeam LGX 1U 3 Module Panel
208-029	Excel Enbeam LGX 3U 14 Module Panel