

Excel Enbeam HD 4P MTP Coupler Cassette Key Up/Key Down Singlemode

Item Code: 208-116

excel
without compromise.



High Density 4-port MTP Coupler Module

Houses 4 MTP Couplers

Key-Aligned and Key-Up/Key-Down Adaptor options

Density up to 576 fibres in 1U when fully loaded

Up to 1152 fibres in 1U with 24-fibre MTP?s

Part of the Excel HD panel system

EC Verified

Product Overview

The Excel LC-MTP High-Density 4-Port through-coupler module is designed for the Excel HD 1U panel, which has a capacity for 12 modules, offering up to 576 fibres per 1U (12-way MTP) or 1152 fibres per 1U (24-way MTP).

The MTP Modules can be mixed and matched with other cassettes within the range to offer a highly flexible patching solution.

Two versions are available ? The Multimode version features Aligned-Key adaptors, whilst the Singlemode version supports angled MTP and offers Key-Up/Key-Down Adaptors.

The Modules can be inserted into the panel from the front or the rear and feature 2 physical stops, one installed and one for patching.

The panel also offers full and innovative patch cord management to the front and cable management to the rear.

Product Specifications

Feature	Values
Suitable for number of fibre cores	48/96
With coupling/adaptor	yes
Type of connector external	MT/MPO

Excel Enbeam HD 4P MTP Coupler Cassette Key Up/Key Down Singlemode

Item Code: 208-116



Type of connector interior	MT/MPO
Fibre type	Single mode
APC-type	no
Colour	Grey

Additional specifications

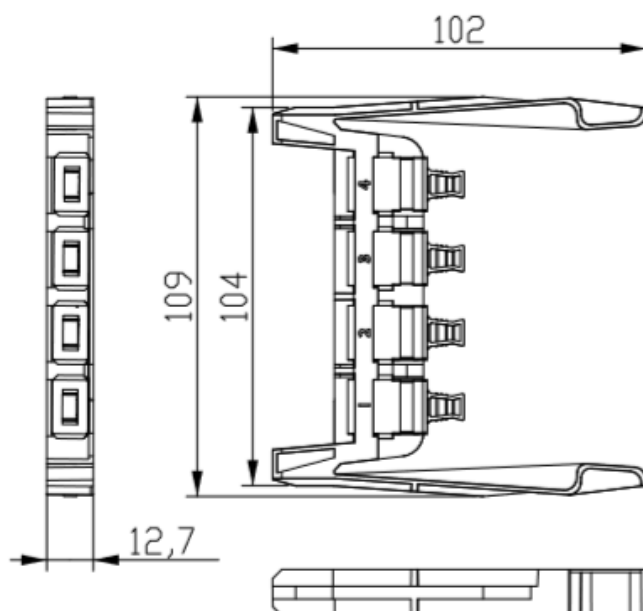
Features	Values
Number of MTP	4
Width	109mm
Height	12.7mm
Depth	102mm
Material	ABS UL94-V0
Colour	Grey
Operating temprature	-40 to +80 °C

Excel Enbeam HD 4P MTP Coupler Cassette Key Up/Key Down Singlemode

Item Code: 208-116

excel
without compromise.

Product drawing



Standards

Applicable standard	Detail
IEC 61754-1:2013	Fibre optic interconnecting devices and passive components - Fibre optic connector interfaces - Part 1: General and guidance
ISO/IEC 11801-1:2017	Information technology - Generic cabling for customer premises: Part 1 General Requirements
EN 50173-1:2018	Information technology. Generic cabling systems - General requirements
Directive 2008/98/EC (WFD)	Waste Framework Directive — compliant. Implemented in the UK through the Waste (England and Wales) Regulations 2011 (SI 2011 No. 988).
ECHA SCIP Database	Compliant; product does not contain SVHCs (Substances of Very High Concern) as defined under REACH Article 33(1). Submission obligations met under EU REACH and UK REACH.
Regulation (EU) 2019/1021 (POPs)	EU Regulation on Persistent Organic Pollutants — compliant. For Great Britain, compliance is aligned with the Persistent Organic Pollutants (Amendment) (EU Exit) Regulations 2020 (SI 2020 No. 1355).
Directive 2011/65/EU (RoHS II)	Restriction of the Use of Certain Hazardous Substances in Electrical and Electronic Equipment — compliant. Applies

Excel Enbeam HD 4P MTP Coupler Cassette Key Up/Key Down Singlemode

Item Code: 208-116



within EU member states).

Directive (EU) 2015/863 (RoHS III)	Amending Directive 2011/65/EU to add four phthalates (DEHP, BBP, DBP, DIBP) to Annex II — compliant.
Directive (EU) 2015/863 (RoHS III)	Amending Directive 2011/65/EU to add four phthalates (DEHP, BBP, DBP, DIBP) to Annex II — compliant.
UK SI 2012 No. 3032	The Restriction of the Use of Certain Hazardous Substances in Electrical and Electronic Equipment Regulations 2012 (UK RoHS) — compliant for Great Britain. Retained EU law, as amended by the Product Safety and Metrology (Amendment etc.) (EU Exit) Regulations 2019.
Directive 2008/98/EC (WFD)	Waste Framework Directive — compliant. Implemented in the UK through the Waste (England and Wales) Regulations 2011 (SI 2011 No. 988).
ECHA SCIP Database	Compliant; product does not contain SVHCs (Substances of Very High Concern) as defined under REACH Article 33(1). Submission obligations met under EU REACH and UK REACH.
Regulation (EU) 2019/1021 (POPs)	EU Regulation on Persistent Organic Pollutants — compliant. For Great Britain, compliance is aligned with the Persistent Organic Pollutants (Amendment) (EU Exit) Regulations 2020 (SI 2020 No. 1355).
UK SI 2012 No. 3032	The Restriction of the Use of Certain Hazardous Substances in Electrical and Electronic Equipment Regulations 2012 (UK RoHS) — compliant for Great Britain. Retained EU law, as amended by the Product Safety and Metrology (Amendment etc.) (EU Exit) Regulations 2019.

Part Number Table

Part Number	Description
208-114	Excel Enbeam HD 4P MTP Coupler Cassette Aligned Key Multimode
208-116	Excel Enbeam HD 4P MTP Coupler Cassette Key Up/Key Down Singlemode

Excel is a world class premium performing end to end infrastructure solution designed, Manufactured, supported and delivered without compromise.

Contact us at sales@excel-networking.com



E&OE. Excel is a registered trade name of Mayflex Holdings Ltd.