

Excel Enbeam 1U 144C HD Cassette Fibre Optic Panel

Item Code: 208-120

excel
without compromise.



✕ 1U 19" High Density 144 Fibre Capacity

✕ Variety of cassette options

✕ LC & MTP cassette options

✕ Pre-termination options

✕ Flexible patchlead and cable management

✕ 25 Year System Warranty Available

✕ CIBSE TM65 Embodied Carbon: 24.309 kg CO2e

Product Overview

The Excel Enbeam 1U 19" HD panel provides an expandable and innovative cassette based patching solution. Each panel has a maximum capacity of 6 cassettes, which are snapped into position quickly, easily and without tooling. Once in position the cassette can be moved back and forth via the sliding drawer mechanism. LC presentation cassettes contain 24fibres, enabling up to 144 cores to be terminated/patched in 1U of rack space. A variety of cassettes are offered providing a highly flexible system and all cassettes can be mixed and matched as required.

Options include LC splice cassettes, LC-MTP cassettes and MTP pass-through cassettes (offering up to 576 fibres in 1U using standard 12 core Excelerator trunk cables). LC cassettes are offered with singlemode (blue), OM3 (aqua) or OM4 (violet) adaptors. The cassettes can be spliced or pre-terminated.

The panel also offers full and innovative patchcord management to the front and cable management to the rear.

Product Specifications

Feature	Values
Suitable for number of fibre cores	144
Suitable for number of module inserts	6
With front plate	yes
With housing	yes
Type of connector external	LC

Excel Enbeam 1U 144C HD Cassette Fibre Optic Panel

Item Code: 208-120

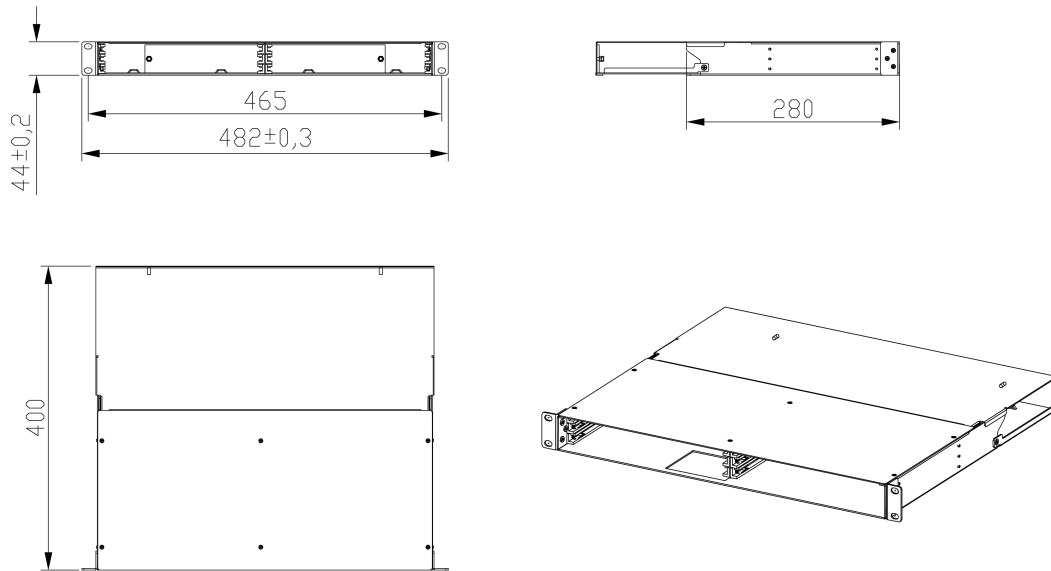


Type of connector interior	LC
Colour	Black
RAL-number	9005
Mounting method	482.6 mm (19 inch) mounting
Number of rack units (RU)	1
Height	44 mm
Width	482 mm
Depth	400 mm

Additional specifications

Features	Values
Number of Modules	6
IP rating	IP20
Material	Cold rolled steel
Material thickness	1.2mm
Material coating	Powder Coating
Operating temperature	-20 to +85 °C

Product drawing



Standards

Applicable standard	Detail
RoHS-II/III (2011/65/EU & 2015/863): 2023	Our products, demonstrate full adherence to the regulatory stipulations of the EU Directive 2011/65/EU (RoHS-II) and its corresponding delegated directive 2015/863 (RoHS-III).
IEC 61754-1:2013	Fibre optic interconnecting devices and passive components - Fibre optic connector interfaces - Part 1: General and guidance
ISO/IEC 11801-1:2017	Information technology - Generic cabling for customer premises: Part 1 General Requirements
EN 50173-1:2018	Information technology. Generic cabling systems - General requirements
WFD: 2023	Compliant to Waste Framework Directive
SCIP: 2023	Compliant - Does Not Contain Substances of Concern In articles as such or in complex objects (Products)
POPs (EU) No 2019/1021	EU Regulation for the restriction of Persistent Organic Pollutants.

Excel Enbeam 1U 144C HD Cassette Fibre Optic Panel

Item Code: 208-120



Part Number Table

Part Number	Description
208-120	Excel Enbeam 1U 144C HD Cassette Fibre Optic Panel

Excel is a world class premium performing end to end infrastructure solution designed, Manufactured, supported and delivered without compromise.

Contact us at sales@excel-networking.com



E&OE. Excel is a registered trade name of Mayflex Holdings Ltd.