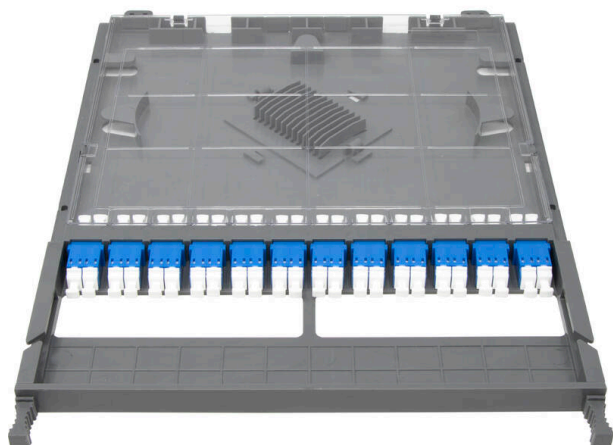


Excel Enbeam High Density 12 Port 24 Fibre LC OS2 Cassette Loaded with Duplex Adaptors

Item Code: 208-121

excel
without compromise.



High Density 24 fibre LC cassette

Complete with splice protectors

Can be spliced or direct terminated

Pre-termination options

OS2, OM3 and OM4 options

25 Year System Warranty Available

Product Overview

The Excel LC High-Density cassette is designed for the Excel HD 1U panel, which has a capacity for 6 cassettes, offering up to 144 fibres per 1U. A range of cassettes are offered and can be mixed and matched as required to offer a highly dense and flexible system for both LC and MTP connectivity.

The LC cassettes can be spliced, direct terminated or pre-terminated offering a truly plug-n-play solution. The cassettes can be supplied with or without pigtailed. See the part number table below for all options. The pigtailed (if supplied) are 2 x 12-colours and loaded to TIA 598 colour standard.

The cassettes can be inserted into the panel from the front or the rear and feature 2 physical stops, one installed and one for patching.

The panel also offers full and innovative patch cord management to the front and cable management to the rear.

Product Specifications

Feature	Values
Suitable for number of fibre cores	42
With coupling/adaptor	yes
Type of connector external	LC
Type of connector interior	LC
Fibre type	Single mode
Colour	Grey

Excel Enbeam High Density 12 Port 24 Fibre LC OS2 Cassette Loaded with Duplex Adaptors

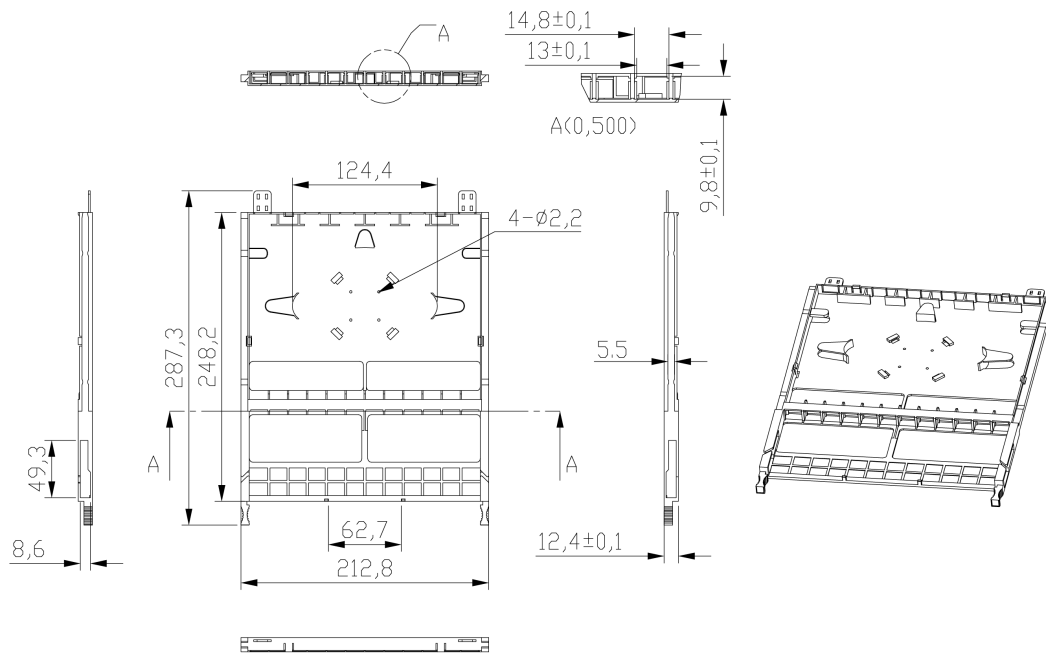
Item Code: 208-121



Additional specifications

Features	Values
Operating Temperature	-40 to +80 °C
Capacity	24 LC-Fibres per cassette
Width	212.8mm
Height	12.4mm
Depth	287.3mm
Material Coating	ABS UL94-V0
Colour	Grey

Product drawing



Excel Enbeam High Density 12 Port 24 Fibre LC OS2 Cassette Loaded with Duplex Adaptors

Item Code: 208-121



Standards

Applicable standard	Detail
Directive 2011/65/EU (RoHS II)	Restriction of the Use of Certain Hazardous Substances in Electrical and Electronic Equipment — compliant. Applies within EU member states).
Directive (EU) 2015/863 (RoHS III)	Amending Directive 2011/65/EU to add four phthalates (DEHP, BBP, DBP, DIBP) to Annex II — compliant.
IEC 61754-1:2013	Fibre optic interconnecting devices and passive components - Fibre optic connector interfaces - Part 1: General and guidance
Directive 2008/98/EC (WFD)	Waste Framework Directive — compliant. Implemented in the UK through the Waste (England and Wales) Regulations 2011 (SI 2011 No. 988).
ECHA SCIP Database	Compliant; product does not contain SVHCs (Substances of Very High Concern) as defined under REACH Article 33(1). Submission obligations met under EU REACH and UK REACH.
Regulation (EU) 2019/1021 (POPs)	EU Regulation on Persistent Organic Pollutants — compliant. For Great Britain, compliance is aligned with the Persistent Organic Pollutants (Amendment) (EU Exit) Regulations 2020 (SI 2020 No. 1355).
UK SI 2012 No. 3032	The Restriction of the Use of Certain Hazardous Substances in Electrical and Electronic Equipment Regulations 2012 (UK RoHS) — compliant for Great Britain. Retained EU law, as amended by the Product Safety and Metrology (Amendment etc.) (EU Exit) Regulations 2019.

Part Number Table

Part Number	Description
208-121	Excel Enbeam High Density 12 Port 24 Fibre LC OS2 Cassette Loaded with Duplex Adaptors
208-122	Excel Enbeam High Density 12 Port 24 Fibre LC OM3 Cassette Loaded with Duplex Adaptors
208-123	Excel Enbeam High Density 12 Port 24 Fibre LC OM4 Cassette Loaded with Duplex Adaptors
208-124	Excel Enbeam High Density 12 Port 24 Fibre LC OS2 Cassette Loaded with Duplex Adaptors & Pigtails
208-125	Excel Enbeam High Density 12 Port 24 Fibre LC OM3 Cassette Loaded with Duplex Adaptors & Pigtails
208-126	Excel Enbeam High Density 12 Port 24 Fibre LC OM4 Cassette Loaded with

Excel Enbeam High Density 12 Port 24 Fibre LC OS2
Cassette Loaded with Duplex Adaptors

Item Code: 208-121



Duplex Adaptors & Pigtails

Excel is a world class premium performing end to end infrastructure solution designed,
Manufactured, supported and delivered without compromise.

Contact us at sales@excel-networking.com



E&OE. Excel is a registered trade name of Mayflex Holdings Ltd.