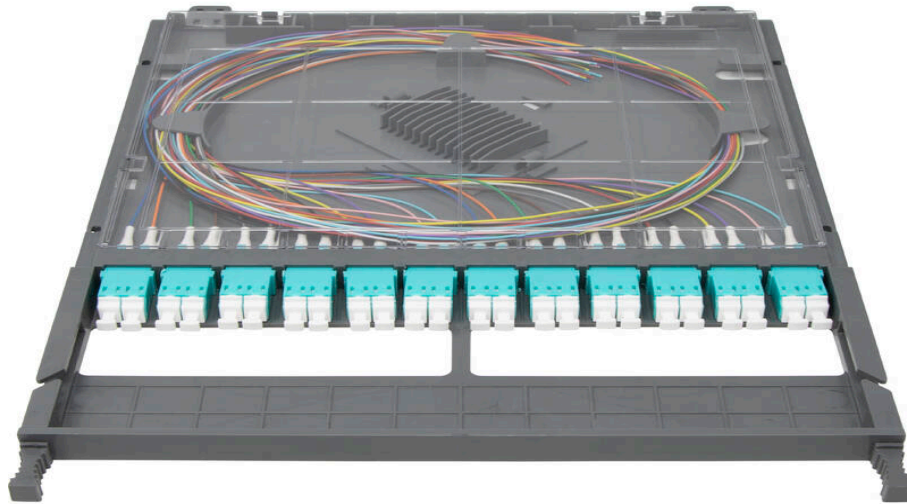


Excel Enbeam High Density 12 Port 24 Fibre LC OM3 Cassette Loaded with Duplex Adaptors & Pigtail...

Part Code: 208-125

sales@excel-networking.com
excel-networking.com

CIBSE TM65 Embodied Carbon: 2.520 kg CO2e



Main Features

- / High Density 24 fibre LC cassette
- / Can be spliced or direct terminated
- / OS2, OM3 and OM4 options
- / Complete with splice protectors
- / Pre-termination options
- / 25 Year System Warranty Available

Product Overview

The Excel LC High-Density cassette is designed for the Excel HD 1U panel, which has a capacity for 6 cassettes, offering up to 144 fibres per 1U. A range of cassettes are offered and can be mixed and matched as required to offer a highly dense and flexible system for both LC and MTP connectivity.

The LC cassettes can be spliced, direct terminated or pre-terminated offering a truly plug-n-play solution. The cassettes can be supplied with or without pigtails. See the part number table below for all options. The pigtails (if supplied) are 2x12-colours and loaded to TIA 598 colour standard.

The cassettes can be inserted into the panel from the front or the rear and feature 2 physical stops, one installed and one for patching.

The panel also offers full and innovative patchcord management to the front and cable management to the rear.

Excel Enbeam High Density 12 Port 24 Fibre LC OM3 Cassette Loaded with Duplex Adaptors & Pigtail...

Part Code: 208-125

sales@excel-networking.com
excel-networking.com

Product Specifications

Feature	Values
Suitable for number of fibre cores	24
With coupling/adapter	yes
Type of connector external	LC
Type of connector interior	LC
Fibre type	Multi mode
Colour	Grey

Additional specifications

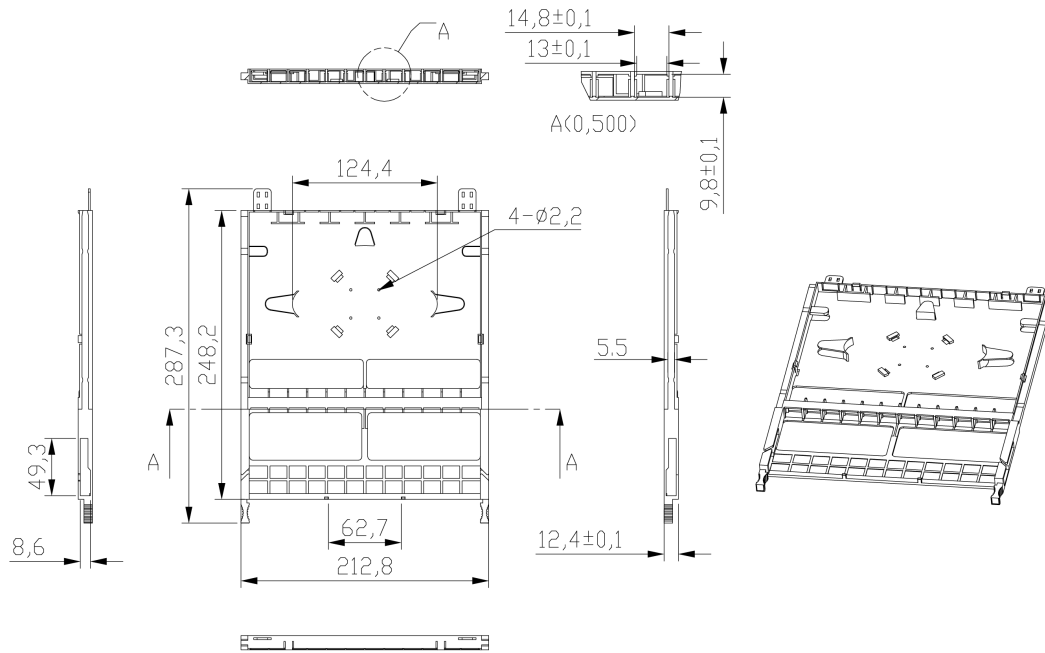
Features	Values
Operating Temperature	-40 to +80 °C
Capacity	24 LC-Fibres per cassette
Width	212.8mm
Height	12.4mm
Depth	287.3mm
Material Coating	ABS UL94-V0
Colour	Grey

Excel Enbeam High Density 12 Port 24 Fibre LC OM3 Cassette Loaded with Duplex Adaptors & Pigtail...

Part Code: 208-125

sales@excel-networking.com
excel-networking.com

Product drawing



Standards

Applicable standard	Detail
Directive 2011/65/EU (RoHS II)	Restriction of the Use of Certain Hazardous Substances in Electrical and Electronic Equipment — compliant. Applies within EU member states).
Directive (EU) 2015/863 (RoHS III)	Amending Directive 2011/65/EU to add four phthalates (DEHP, BBP, DBP, DIBP) to Annex II — compliant.
IEC 61754-1:2013	Fibre optic interconnecting devices and passive components - Fibre optic connector interfaces - Part 1: General and guidance
Directive 2008/98/EC (WFD)	Waste Framework Directive — compliant. Implemented in the UK through the Waste (England and Wales) Regulations 2011 (SI 2011 No. 988).

Excel Enbeam High Density 12 Port 24 Fibre LC OM3 Cassette Loaded with Duplex Adaptors & Pigtail...

Part Code: 208-125

sales@excel-networking.com
excel-networking.com

ECHA SCIP Database

Compliant; product does not contain SVHCs (Substances of Very High Concern) as defined under REACH Article 33(1). Submission obligations met under EU REACH and UK REACH.

Regulation (EU) 2019/1021 (POPs)

EU Regulation on Persistent Organic Pollutants — compliant. For Great Britain, compliance is aligned with the Persistent Organic Pollutants (Amendment) (EU Exit) Regulations 2020 (SI 2020 No. 1355).

UK SI 2012 No. 3032

The Restriction of the Use of Certain Hazardous Substances in Electrical and Electronic Equipment Regulations 2012 (UK RoHS) — compliant for Great Britain. Retained EU law, as amended by the Product Safety and Metrology (Amendment etc.) (EU Exit) Regulations 2019.

Part Code Table

Part Code	Description
208-121	Excel Enbeam High Density 12 Port 24 Fibre LC OS2 Cassette Loaded with Duplex Adaptors
208-122	Excel Enbeam High Density 12 Port 24 Fibre LC OM3 Cassette Loaded with Duplex Adaptors
208-123	Excel Enbeam High Density 12 Port 24 Fibre LC OM4 Cassette Loaded with Duplex Adaptors
208-124	Excel Enbeam High Density 12 Port 24 Fibre LC OS2 Cassette Loaded with Duplex Adaptors & Pigtails
208-125	Excel Enbeam High Density 12 Port 24 Fibre LC OM3 Cassette Loaded with Duplex Adaptors & Pigtails
208-126	Excel Enbeam High Density 12 Port 24 Fibre LC OM4 Cassette Loaded with Duplex Adaptors & Pigtails