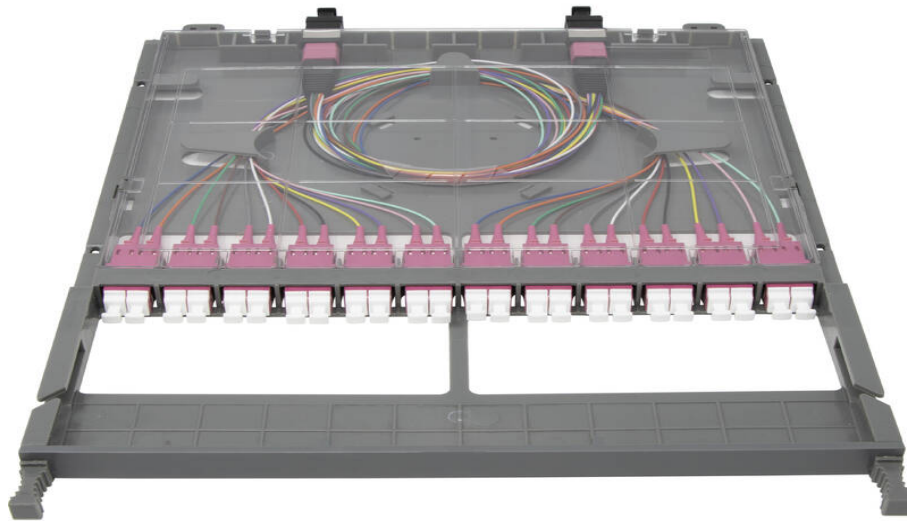


Excel Enbeam High Density 12 Port 24 Fibre OM4 LC-MTP Cassette Loaded (MOD 1)

Part Code: 208-134-MOD1

sales@excel-networking.com
excel-networking.com



Main Features

- / High Density 24 LC to MTP cassette
- / 2 X 12 Fibre MTP at rear
- / Part of the Excel HD panel system
- / MTP US-Conec Elite connectors
- / Standard, MOD1 and MOD2 versions
- / OS2, OM3 and OM4 options

Product Overview

The Excel LC-MTP High-Density cassette is designed for the Excel HD 1U panel, which has a capacity for 6 cassettes, offering up to 144 fibres per 1U. A range of cassettes are offered and can be mixed and matched as required to offer a highly dense and flexible system for both LC and MTP connectivity. The LC MTP cassettes come complete with LC Adaptors at the front and MTP couplers at the rear, with an MTP-LC fan-out fibre assembly installed & factory tested. The cassettes are available in OS2, OM3 and OM4, configured standard or MOD 1 or MOD2. See the part number table below for all options. The cassettes can be inserted into the panel from the front or the rear and feature 2 physical stops, one installed and one for patching. The panel also offers full and innovative patchcord management to the front and cable management to the...

Excel Enbeam High Density 12 Port 24 Fibre OM4 LC-MTP Cassette Loaded (MOD 1)

Part Code: 208-134-MOD1

sales@excel-networking.com
excel-networking.com

Product Specifications

Feature	Values
Suitable for number of fibre cores	24
With coupling/adapter	yes
Type of connector external	LC
Type of connector interior	MT/MPO
Fibre type	Multi mode
Colour	Grey

Additional specifications

Features	Values
Operating temperature	-40 to +80 °C
Capacity	24 LC fibres per cassette
Width	212.8 mm
Height	12.4 mm
Depth	287.3 mm
Material coating	ABS UL94-V0
Colour	Grey
MM MTP typical/max Loss	0.1 dB /0.35 dB
SM MTP typical/max Loss	0.1 dB /0.35 dB
MM LC typical/max Loss	0.15dB /0.3 dB
SM LC typical/max Loss	0.15dB /0.3 dB
MM MTP return loss	< -20 dB

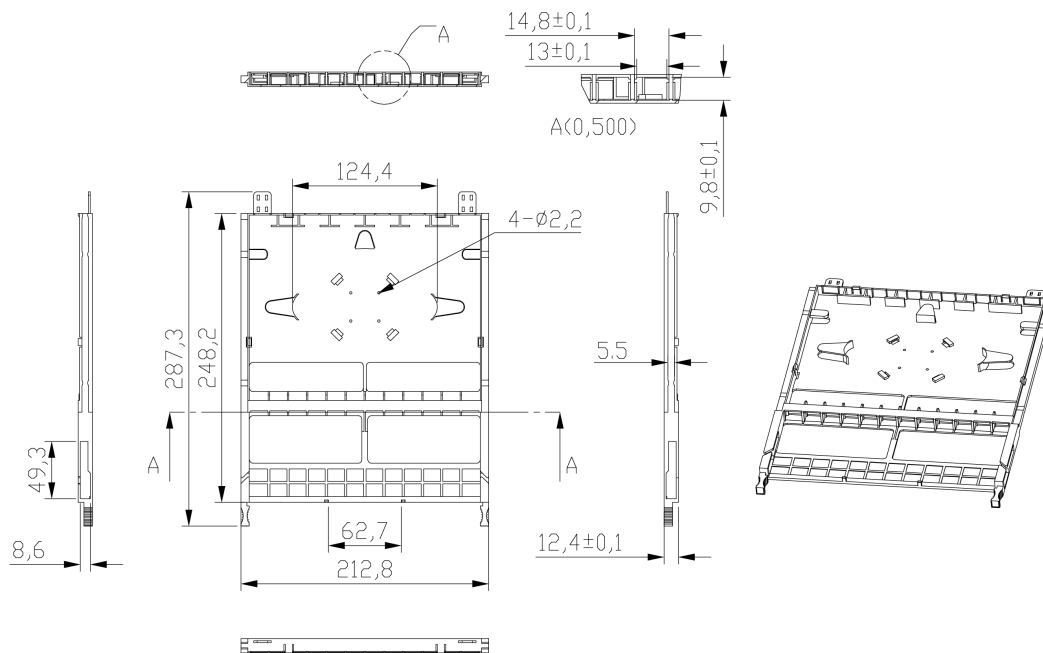
Excel Enbeam High Density 12 Port 24 Fibre OM4 LC-MTP Cassette Loaded (MOD 1)

Part Code: 208-134-MOD1

sales@excel-networking.com
excel-networking.com

SM MTP return loss	← -60 dB (Angled)
MMLC return loss	← -30 dB (PC)
SMLC return loss	← -50 dB (UPC)

Product drawing



Standards

Applicable standard	Detail
Directive 2011/65/EU (RoHS II)	Restriction of the Use of Certain Hazardous Substances in Electrical and Electronic Equipment — compliant. Applies within EU member states).
Directive (EU) 2015/863 (RoHS III)	Amending Directive 2011/65/EU to add four phthalates

Excel Enbeam High Density 12 Port 24 Fibre OM4 LC-MTP Cassette Loaded (MOD 1)



Part Code: 208-134-MOD1

sales@excel-networking.com
excel-networking.com

(DEHP, BBP, DBP, DIBP) to Annex II — compliant.

IEC 61754-1:2013	Fibre optic interconnecting devices and passive components - Fibre optic connector interfaces - Part 1: General and guidance
Directive 2008/98/EC (WFD)	Waste Framework Directive — compliant. Implemented in the UK through the Waste (England and Wales) Regulations 2011 (SI 2011 No. 988).
ECHA SCIP Database	Compliant; product does not contain SVHCs (Substances of Very High Concern) as defined under REACH Article 33(1). Submission obligations met under EU REACH and UK REACH.
Regulation (EU) 2019/1021 (POPs)	EU Regulation on Persistent Organic Pollutants — compliant. For Great Britain, compliance is aligned with the Persistent Organic Pollutants (Amendment) (EU Exit) Regulations 2020 (SI 2020 No. 1355).
UK SI 2012 No. 3032	The Restriction of the Use of Certain Hazardous Substances in Electrical and Electronic Equipment Regulations 2012 (UK RoHS) — compliant for Great Britain. Retained EU law, as amended by the Product Safety and Metrology (Amendment etc.) (EU Exit) Regulations 2019.

Part Code Table

Part Code	Description
208-128	Excel Enbeam High Density 12 Port 24 Fibre OS2 LC-MTP Cassette Loaded (Standard)
208-128-MOD1	Excel Enbeam High Density 12 Port 24 Fibre OS2 LC-MTP Cassette Loaded (MOD 1)
208-128-MOD2	Excel Enbeam High Density 12 Port 24 Fibre OS2 LC-MTP Cassette Loaded (MOD 2)
208-131	Excel Enbeam High Density 12 Port 24 Fibre OM3 LC-MTP Cassette Loaded (Standard)
208-131-MOD1	Excel Enbeam High Density 12 Port 24 Fibre OM3 LC-MTP Cassette Loaded

Excel Enbeam High Density 12 Port 24 Fibre OM4 LC-MTP Cassette Loaded (MOD 1)



Part Code: 208-134-MOD1

sales@excel-networking.com
excel-networking.com

(MOD 1)

208-131-MOD2	Excel Enbeam High Density 12 Port 24 Fibre OM3 LC-MTP Cassette Loaded (MOD 2)
208-134	Excel Enbeam High Density 12 Port 24 Fibre OM4 LC-MTP Cassette Loaded (Standard)
208-134-MOD1	Excel Enbeam High Density 12 Port 24 Fibre OM4 LC-MTP Cassette Loaded (MOD 1)
208-134-MOD2	Excel Enbeam High Density 12 Port 24 Fibre OM4 LC-MTP Cassette Loaded (MOD 2)