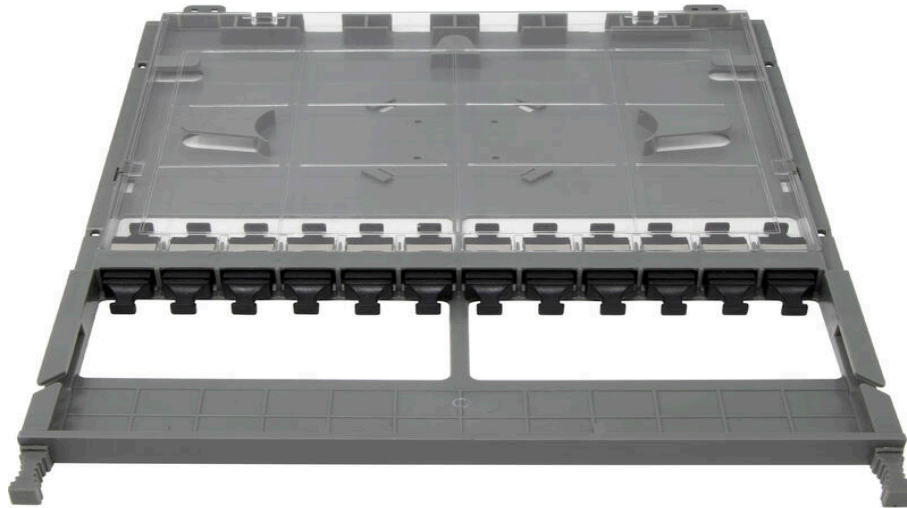


# Excel Enbeam High Density 12 Port MTP Coupler Cassette Aligned Key Multimode

excel  
without compromise.

Part Code: 208-137

sales@excel-networking.com  
excel-networking.com



## Main Features

- / High Density 12-port MTP Coupler Module
- / Key-Aligned and Key-Up/Key-Down Adaptor options
- / Up to 1728 fibres in 1U with 24-fibre MTPs
- / Houses 12 MTP Couplers
- / Density up to 864 fibres in 1U when fully loaded
- / Part of the Excel HD panel system

## Product Overview

The Excel LC-MTP High-Density 12-Port through-coupler module is designed for the Excel HD 1U panel, which has a capacity for 6 modules, offering up to 864 fibres per 1U (12-way MTP) or 1728 fibres per 1U (24-way MTP).

The MTP Modules can be mixed and matched with other cassettes within the range to offer a highly flexible patching solution. Two versions are available? The Multimode version features Aligned-Key adaptors, whilst the Singlemode version supports angled MTP and offers Key-Up/Key-Down Adaptors.

The Modules can be inserted into the panel from the front and feature 2 physical stops, one installed and one for patching.

The panel also offers full and innovative patch cord management to the front and cable management to the rear.

# Excel Enbeam High Density 12 Port MTP Coupler Cassette Aligned Key Multimode

Part Code: 208-137

sales@excel-networking.com  
excel-networking.com

## Product Specifications

Feature	Values
Suitable for number of fibre cores	<b>144</b>
With coupling/adaptor	<b>yes</b>
Type of connector external	<b>MT/MPO</b>
Type of connector interior	<b>MT/MPO</b>
Fibre type	<b>Multi mode</b>
Colour	<b>Grey</b>

## Additional specifications

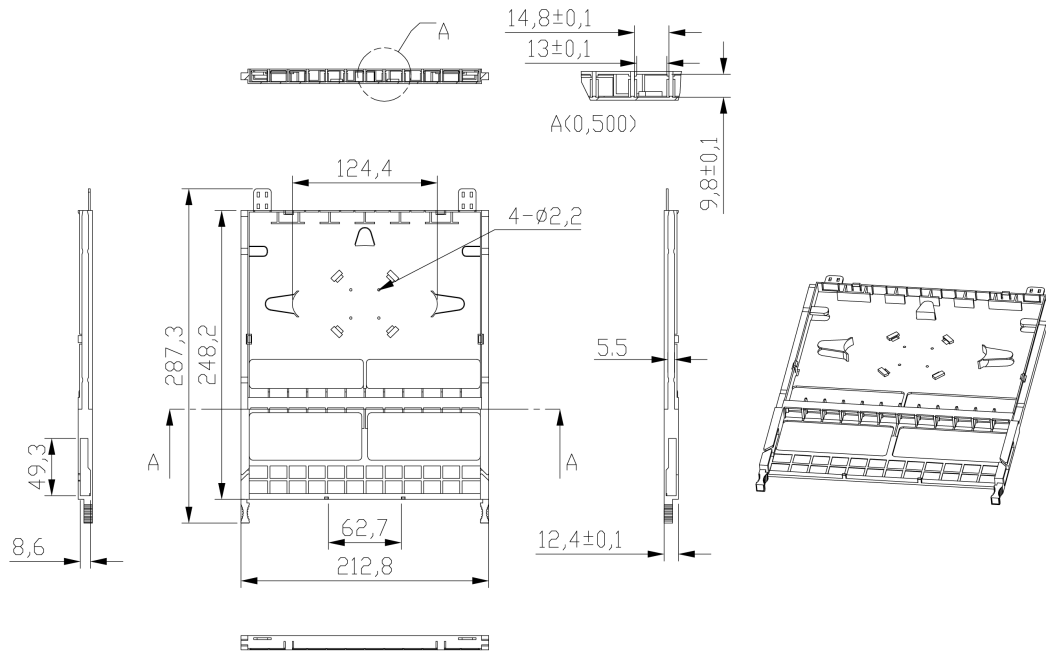
Features	Values
Number of MTP	<b>12</b>
Width	<b>212.8mm</b>
Height	<b>12.4mm</b>
Depth	<b>287.3mm</b>
Material	<b>ABS UL94-V0</b>
Colour	<b>Grey</b>
Operating temperature	<b>-40 to +80 °C</b>

# Excel Enbeam High Density 12 Port MTP Coupler Cassette Aligned Key Multimode

Part Code: 208-137

sales@excel-networking.com  
excel-networking.com

## Product drawing



## Standards

Applicable standard	Detail
IEC 61754-1:2013	Fibre optic interconnecting devices and passive components - Fibre optic connector interfaces - Part 1: General and guidance
ISO/IEC 11801-1:2017	Information technology - Generic cabling for customer premises: Part 1 General Requirements
EN 50173-1:2018	Information technology. Generic cabling systems - General requirements
Directive 2008/98/EC (WFD)	Waste Framework Directive — compliant. Implemented in the UK through the Waste (England and Wales) Regulations 2011 (SI 2011 No. 988).
ECHA SCIP Database	Compliant; product does not contain SVHCs (Substances

# Excel Enbeam High Density 12 Port MTP Coupler Cassette Aligned Key Multimode

Part Code: 208-137

sales@excel-networking.com  
excel-networking.com

	of Very High Concern) as defined under REACH Article 33(1). Submission obligations met under EU REACH and UK REACH.
Regulation (EU) 2019/1021 (POPs)	EU Regulation on Persistent Organic Pollutants — compliant. For Great Britain, compliance is aligned with the Persistent Organic Pollutants (Amendment) (EU Exit) Regulations 2020 (SI 2020 No. 1355).
Directive 2011/65/EU (RoHS II)	Restriction of the Use of Certain Hazardous Substances in Electrical and Electronic Equipment — compliant. Applies within EU member states).
Directive (EU) 2015/863 (RoHS III)	Amending Directive 2011/65/EU to add four phthalates (DEHP, BBP, DBP, DIBP) to Annex II — compliant.
Directive (EU) 2015/863 (RoHS III)	Amending Directive 2011/65/EU to add four phthalates (DEHP, BBP, DBP, DIBP) to Annex II — compliant.
UK SI 2012 No. 3032	The Restriction of the Use of Certain Hazardous Substances in Electrical and Electronic Equipment Regulations 2012 (UK RoHS) — compliant for Great Britain. Retained EU law, as amended by the Product Safety and Metrology (Amendment etc.) (EU Exit) Regulations 2019.
Directive 2008/98/EC (WFD)	Waste Framework Directive — compliant. Implemented in the UK through the Waste (England and Wales) Regulations 2011 (SI 2011 No. 988).
ECHA SCIP Database	Compliant; product does not contain SVHCs (Substances of Very High Concern) as defined under REACH Article 33(1). Submission obligations met under EU REACH and UK REACH.
Regulation (EU) 2019/1021 (POPs)	EU Regulation on Persistent Organic Pollutants — compliant. For Great Britain, compliance is aligned with the Persistent Organic Pollutants (Amendment) (EU Exit) Regulations 2020 (SI 2020 No. 1355).
UK SI 2012 No. 3032	The Restriction of the Use of Certain Hazardous Substances in Electrical and Electronic Equipment Regulations 2012 (UK RoHS) — compliant for Great Britain. Retained EU law, as amended by the Product Safety and Metrology (Amendment etc.) (EU Exit) Regulations 2019.

# Excel Enbeam High Density 12 Port MTP Coupler Cassette Aligned Key Multimode

Part Code: 208-137

sales@excel-networking.com  
excel-networking.com

## Part Code Table

Part Code	Description
208-137	Excel Enbeam High Density 12 Port MTP Coupler Cassette Aligned Key Multimode
208-138	Excel Enbeam High Density 12 Port MTP Coupler Cassette Key Up/Key Down Singlemode