

Excel Enbeam High Density 12 Port MTP Coupler Cassette Key Up/Key Down Singlemode

Item Code: 208-138

excel
without compromise.



High Density 12-port MTP Coupler Module

Houses 12 MTP Couplers

Key-Aligned and Key-Up/Key-Down Adaptor options

Density up to 864 fibres in 1U when fully loaded

Up to 1728 fibres in 1U with 24-fibre MTPs

Part of the Excel HD panel system

Product Overview

The Excel LC-MTP High-Density 12-Port through-coupler module is designed for the Excel HD 1U panel, which has a capacity for 6 modules, offering up to 864 fibres per 1U (12-way MTP) or 1728 fibres per 1U (24-way MTP).

The MTP Modules can be mixed and matched with other cassettes within the range to offer a highly flexible patching solution. Two versions are available, the Multimode version features Aligned-Key adaptors, whilst the Singlemode version supports angled MTP and offers Key-Up/Key-Down Adaptors.

The Modules can be inserted into the panel from the front and feature 2 physical stops, one installed and one for patching.

The panel also offers full and innovative patch cord management to the front and cable management to the rear.

Product Specifications

Feature	Values
Suitable for number of fibre cores	144
With coupling/adaptor	yes
Type of connector external	MT/MPO
Type of connector interior	MT/MPO
Fibre type	Single mode

Excel Enbeam High Density 12 Port MTP Coupler Cassette Key Up/Key Down Singlemode

Item Code: 208-138

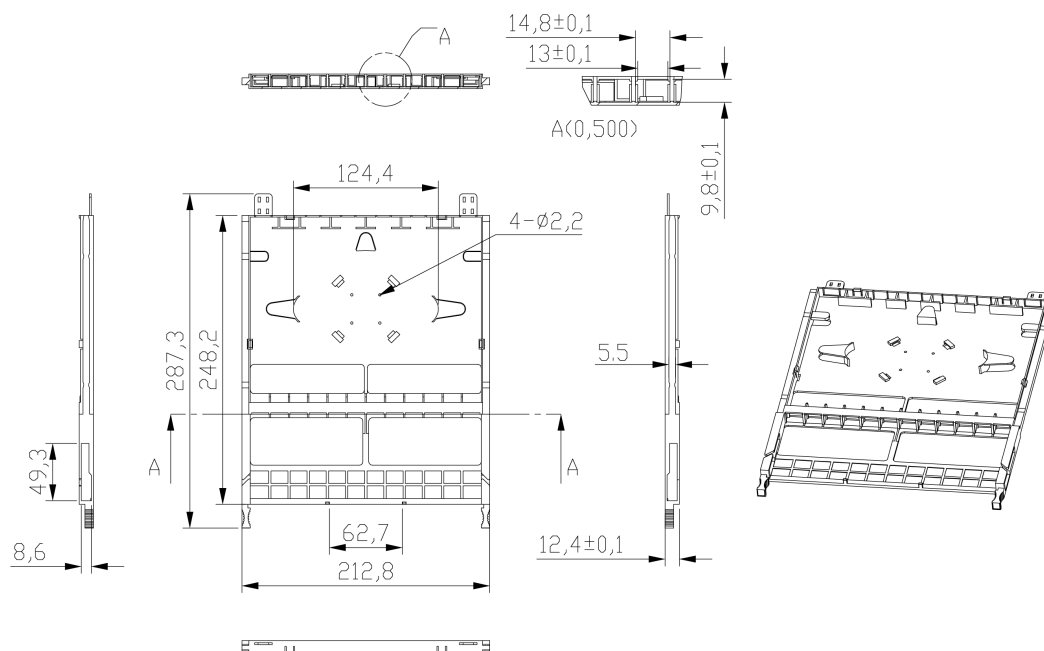


Colour Grey

Additional specifications

Features	Values
Number of MTP	12
Width	212.8mm
Height	12.4mm
Depth	287.3mm
Material	ABS UL94-V0
Colour	Grey
Operating temperature	-40 to +80 °C

Product drawing



Excel Enbeam High Density 12 Port MTP Coupler Cassette Key Up/Key Down Singlemode

Item Code: 208-138



Standards

Applicable standard	Detail
IEC 61754-1:2013	Fibre optic interconnecting devices and passive components - Fibre optic connector interfaces - Part 1: General and guidance
ISO/IEC 11801-1:2017	Information technology - Generic cabling for customer premises: Part 1 General Requirements
EN 50173-1:2018	Information technology. Generic cabling systems - General requirements
Directive 2008/98/EC (WFD)	Waste Framework Directive — compliant. Implemented in the UK through the Waste (England and Wales) Regulations 2011 (SI 2011 No. 988).
ECHA SCIP Database	Compliant; product does not contain SVHCs (Substances of Very High Concern) as defined under REACH Article 33(1). Submission obligations met under EU REACH and UK REACH.
Regulation (EU) 2019/1021 (POPs)	EU Regulation on Persistent Organic Pollutants — compliant. For Great Britain, compliance is aligned with the Persistent Organic Pollutants (Amendment) (EU Exit) Regulations 2020 (SI 2020 No. 1355).
Directive 2011/65/EU (RoHS II)	Restriction of the Use of Certain Hazardous Substances in Electrical and Electronic Equipment — compliant. Applies within EU member states).
Directive (EU) 2015/863 (RoHS III)	Amending Directive 2011/65/EU to add four phthalates (DEHP, BBP, DBP, DIBP) to Annex II — compliant.
Directive (EU) 2015/863 (RoHS III)	Amending Directive 2011/65/EU to add four phthalates (DEHP, BBP, DBP, DIBP) to Annex II — compliant.
UK SI 2012 No. 3032	The Restriction of the Use of Certain Hazardous Substances in Electrical and Electronic Equipment Regulations 2012 (UK RoHS) — compliant for Great Britain. Retained EU law, as amended by the Product Safety and Metrology (Amendment etc.) (EU Exit) Regulations 2019.
Directive 2008/98/EC (WFD)	Waste Framework Directive — compliant. Implemented in the UK through the Waste (England and Wales) Regulations 2011 (SI 2011 No. 988).
ECHA SCIP Database	Compliant; product does not contain SVHCs (Substances of Very High Concern) as defined under REACH Article 33(1). Submission obligations met under EU REACH and UK REACH.
Regulation (EU) 2019/1021 (POPs)	EU Regulation on Persistent Organic Pollutants — compliant. For Great Britain, compliance is aligned with the Persistent Organic Pollutants (Amendment) (EU Exit) Regulations 2020 (SI 2020 No. 1355).

Excel Enbeam High Density 12 Port MTP Coupler Cassette Key Up/Key Down Singlemode

Item Code: 208-138



UK SI 2012 No. 3032

The Restriction of the Use of Certain Hazardous Substances in Electrical and Electronic Equipment Regulations 2012 (UK RoHS) — compliant for Great Britain. Retained EU law, as amended by the Product Safety and Metrology (Amendment etc.) (EU Exit) Regulations 2019.

Part Number Table

Part Number	Description
208-137	Excel Enbeam High Density 12 Port MTP Coupler Cassette Aligned Key Multimode
208-138	Excel Enbeam High Density 12 Port MTP Coupler Cassette Key Up/Key Down Singlemode

Excel is a world class premium performing end to end infrastructure solution designed, Manufactured, supported and delivered without compromise.

Contact us at sales@excel-networking.com



E&OE. Excel is a registered trade name of Mayflex Holdings Ltd.