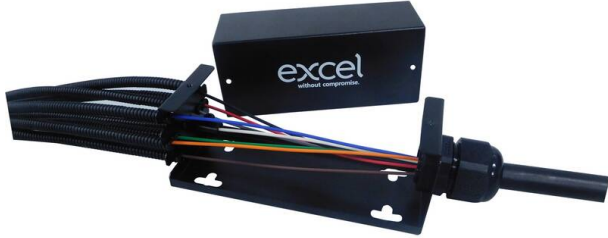


Excel Enbeam Fibre Breakout Kit Up to 48 Fibres

Item Code: 208-170



✕ Suitable for Loose Tube and Tight Buffered Cables

✕ Accommodates up to 4 Breakout Tubes

✕ Fixing point for Central Strength Member

✕ Complete kit includes Breakout Tubing

✕ Robust steel Construction

✕ Mounting holes on rear

Product Overview

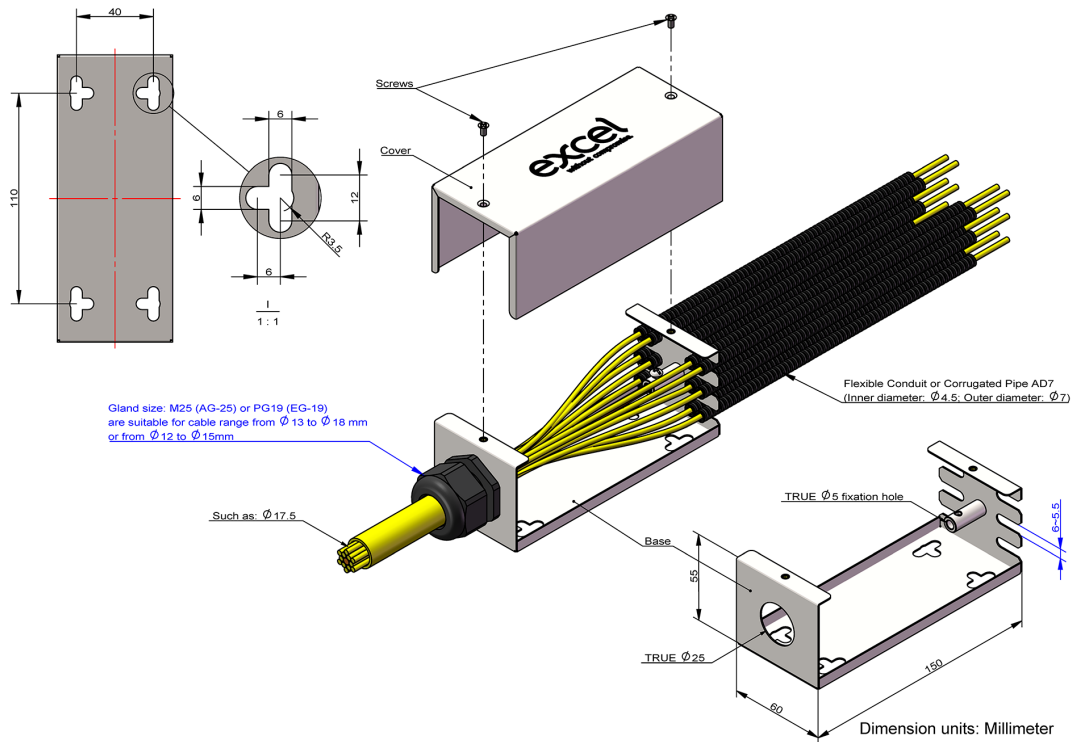
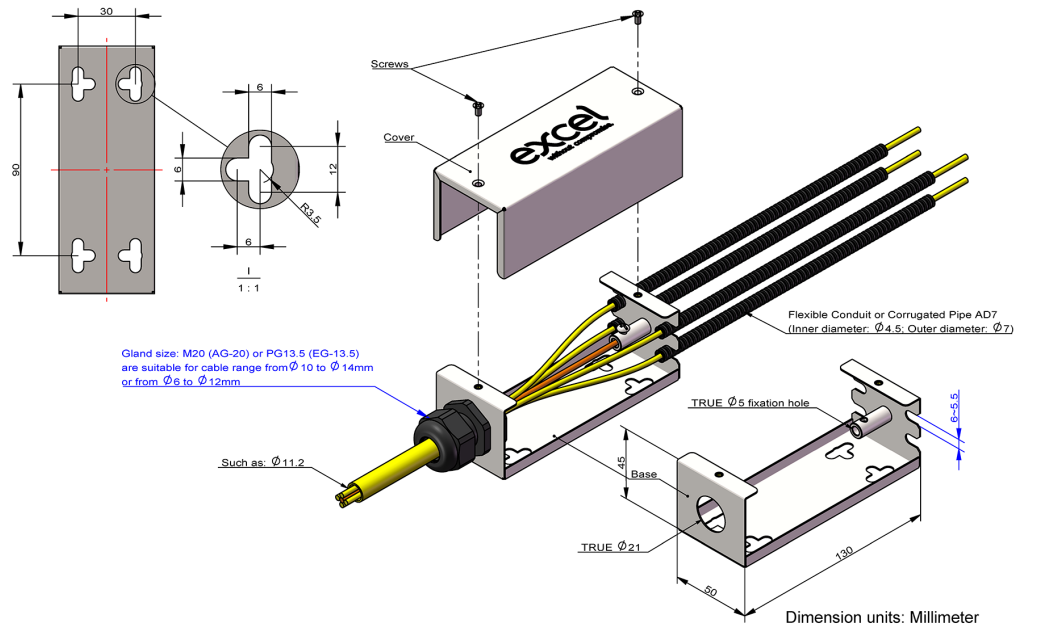
The Excel Enbeam 48 Fibre breakout kit allows the distribution of multi core cables via flexible conduit routes to multiple termination locations. The flexible conduit offers protection to sub units as well as tight buffered fibre.

It comes with 8 metres of 7 mm diameter conduit for use with the fibres.

Product Specifications

Feature	Values
Number of Cores	48
With hollow cable	yes
Cable management kit	yes
Material	Metal

Product drawings



Additional specifications

Features	Values
Material	Cold rolled steel
Material thickness	1.2mm
Colour	Black RaI9005
IP Rating	20
Operating Temperature	-20°C to +85°C

Standards

Applicable standard	Detail
RoHS-II/-III (2011/65/EU & 2015/863): 2023	Our products, demonstrate full adherence to the regulatory stipulations of the EU Directive 2011/65/EU (RoHS-II) and its corresponding delegated directive 2015/863 (RoHS-III).
IEC 61754-1:2013	Fibre optic interconnecting devices and passive components - Fibre optic connector interfaces - Part 1: General and guidance
ISO/IEC 11801-1:2017	Information technology - Generic cabling for customer premises: Part 1 General Requirements
EN 50173-1:2018	Information technology. Generic cabling systems - General requirements
WFD: 2023	Compliant to Waste Framework Directive
SCIP: 2023	Compliant - Does Not Contain Substances of Concern In articles as such or in complex objects (Products)
POPs (EU) No 2019/1021	EU Regulation for the restriction of Persistent Organic Pollutants.

Part Number Table

Part Number	Description
208-170	Excel Enbeam Fibre Breakout Kit Up to 48 Fibres
208-171	Excel Enbeam Fibre Breakout Kit Up to 144 Fibres

Excel is a world class premium performing end to end infrastructure solution designed, Manufactured, supported and delivered without compromise.

Contact us at sales@excel-networking.com