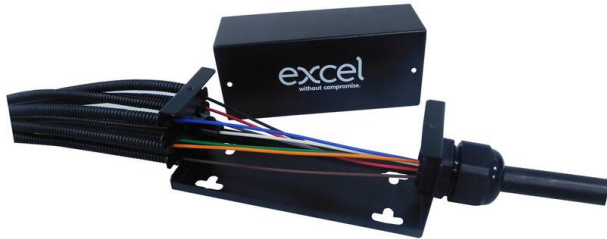


Excel Enbeam Fibre Breakout Kit Up to 144 Fibres

Item Code: 208-171



Suitable for Loose Tube and Tight Buffered Cables

Accommodates up to 12 Breakout Tubes

Fixing point for Central Strength Member

Complete kit includes Breakout Tubing

Robust steel Construction

Mounting holes on rear

Product Overview

The Excel Enbeam 144 Fibre breakout kit allows the distribution of multi core cables via flexible conduit routes to multiple termination locations. The flexible conduit offers protection to sub units as well as tight buffed fibre.

It comes with 25 metres of 7 mm diameter conduit for use with the fibres.

Product Specifications

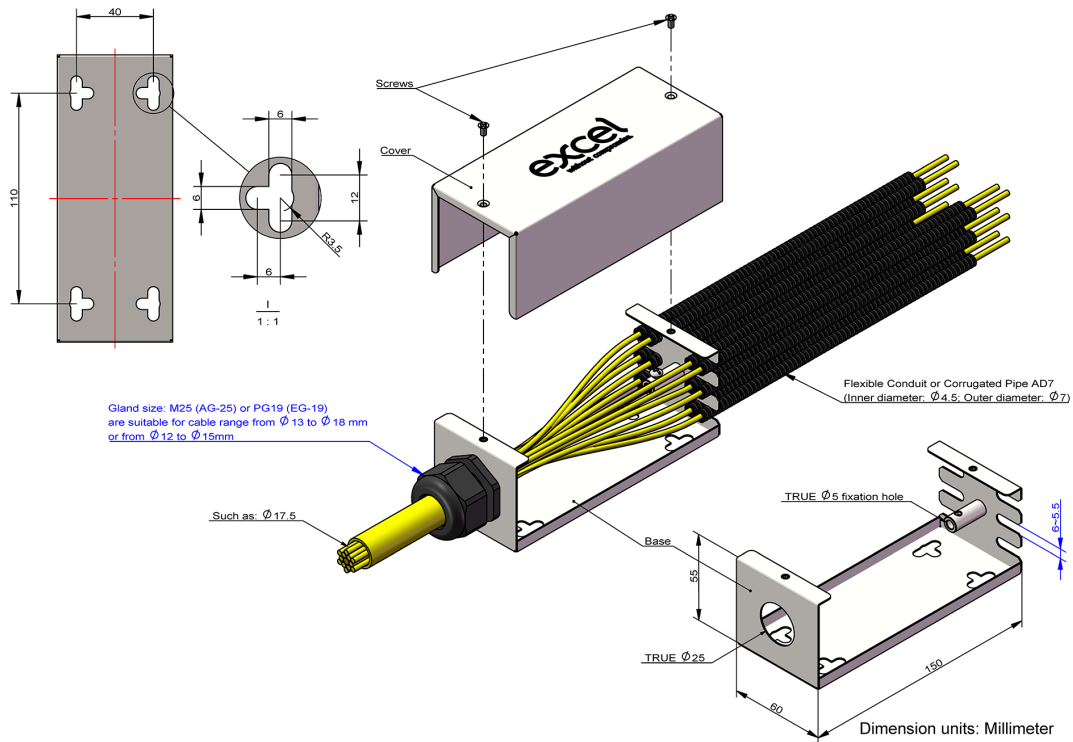
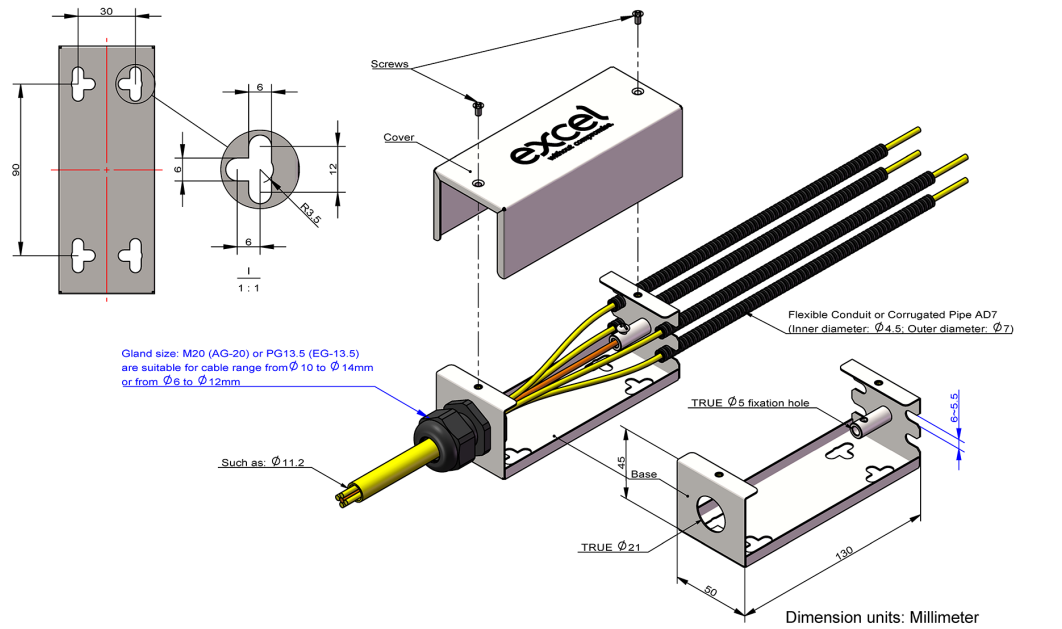
Feature	Values
Number of Cores	144
With hollow cable	yes
Strain relief	yes
Material	Metal

Excel Enbeam Fibre Breakout Kit Up to 144 Fibres

Item Code: 208-171



Product drawings



Additional specifications

Features	Values
Material	Cold rolled steel
Material thickness	1.2mm
Colour	Black RaI9005
IP Rating	20
Operating Temperature	-20°C to +85°C

Standards

Applicable standard	Detail
Directive 2011/65/EU (RoHS II)	Restriction of the Use of Certain Hazardous Substances in Electrical and Electronic Equipment — compliant. Applies within EU member states).
Directive (EU) 2015/863 (RoHS III)	Amending Directive 2011/65/EU to add four phthalates (DEHP, BBP, DBP, DIBP) to Annex II — compliant.
IEC 61754-1:2013	Fibre optic interconnecting devices and passive components - Fibre optic connector interfaces - Part 1: General and guidance
ISO/IEC 11801-1:2017	Information technology - Generic cabling for customer premises: Part 1 General Requirements
EN 50173-1:2018	Information technology. Generic cabling systems - General requirements
Directive 2008/98/EC (WFD)	Waste Framework Directive — compliant. Implemented in the UK through the Waste (England and Wales) Regulations 2011 (SI 2011 No. 988).
ECHA SCIP Database	Compliant; product does not contain SVHCs (Substances of Very High Concern) as defined under REACH Article 33(1). Submission obligations met under EU REACH and UK REACH.
Regulation (EU) 2019/1021 (POPs)	EU Regulation on Persistent Organic Pollutants — compliant. For Great Britain, compliance is aligned with the Persistent Organic Pollutants (Amendment) (EU Exit) Regulations 2020 (SI 2020 No. 1355).
UK SI 2012 No. 3032	The Restriction of the Use of Certain Hazardous Substances in Electrical and Electronic Equipment Regulations 2012 (UK RoHS) — compliant for Great Britain. Retained EU law, as amended by the Product Safety and Metrology (Amendment etc.) (EU Exit) Regulations 2019.

Item Code: 208-171

Part Number Table

Part Number	Description
208-170	Excel Enbeam Fibre Breakout Kit Up to 48 Fibres
208-171	Excel Enbeam Fibre Breakout Kit Up to 144 Fibres

Excel is a world class premium performing end to end infrastructure solution designed, Manufactured, supported and delivered without compromise.

Contact us at sales@excel-networking.com



E&OE. Excel is a registered trade name of Mayflex Holdings Ltd.