

# Excel Enbeam 48 Fibre Optic Splice Closure (FOSC) with Mechanical Seals (Dome Type)

Item Code: 208-500

**excel**  
without compromise.



✕ Up to 144 Fibre

✕ Hinged Splice Tray holds up to 24 heatshrink splice protectors

✕ IP68

✕ UV Resistant

✕ Termination and splice kit included

✕ Cable entry/exit 4 round 1 x uncut

✕ Pole Mount Included

## Product Overview

The Excel Enbeam Dome enclosure allows up to 144 fibres to be installed using compression glands to seal the unit, allowing quick and simple installation methods, without the need for specialist tools. Its IP68 rating allows the unit to be externally mounted on walls, pole or pit applications whilst retaining its performance capability.

## Product Specifications

Feature	Values
Surface mounted	yes
Duct installation	yes
Type of fastening	Screwing
With couplers	no
Suitable for type of fibre	Multi mode/single mode
IP-rating	IP68
Width	230 mm
Height	450 mm

# Excel Enbeam 48 Fibre Optic Splice Closure (FOSC) with Mechanical Seals (Dome Type)

Item Code: 208-500



## Additional specifications

Features	Values
Weight	4.2 to 4.8 kgs
Maximum number of splice trays	6
Maximum number of fibre per splice tray	24
Standard cable entry point	4
Cable diameter	8mm to 17.5mm
Uncut cable entry point	1
Sealing method	Mechanical
Material	Polypropylene
Colour/Finish	Black
Operating temperature	-40°C to +60°C
UV resistant	Yes

## Included accessories

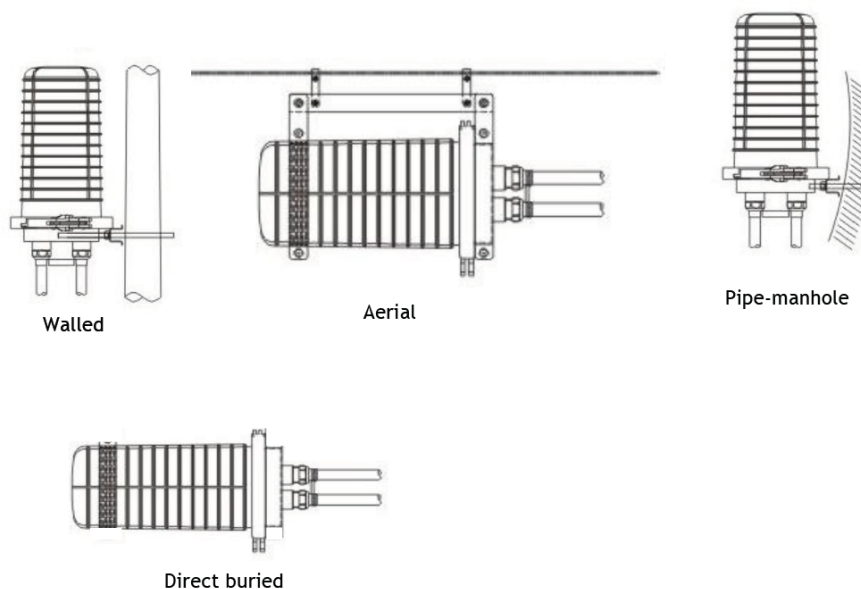
Accessories	Quantity
Splice protectors	up to 144
Nylon tie	12
Pole mounting bracket	1
Insulation tape	1 reel
Wall fixings	2
Rubber sealing glands	8
Blanking plugs	5
Allen key	1

# Excel Enbeam 48 Fibre Optic Splice Closure (FOSC) with Mechanical Seals (Dome Type)

Item Code: 208-500

**excel**  
without compromise.

## Product drawing



## Standards

Applicable standard	Detail
RoHS-II/III (2011/65/EU & 2015/863): 2023	Our products, demonstrate full adherence to the regulatory stipulations of the EU Directive 2011/65/EU (RoHS-II) and its corresponding delegated directive 2015/863 (RoHS-III).
IEC 61754-1:2013	Fibre optic interconnecting devices and passive components - Fibre optic connector interfaces - Part 1: General and guidance
ISO/IEC 11801-1:2017	Information technology - Generic cabling for customer premises: Part 1 General Requirements
EN 50173-1:2018	Information technology. Generic cabling systems - General requirements
WFD: 2023	Compliant to Waste Framework Directive
SCIP: 2023	Compliant - Does Not Contain Substances of Concern In articles as such or in complex objects (Products)
POPs (EU) No 2019/1021	EU Regulation for the restriction of Persistent Organic Pollutants.

# Excel Enbeam 48 Fibre Optic Splice Closure (FOSC) with Mechanical Seals (Dome Type)

Item Code: 208-500



## Part Number Table

Part Number	Description
208-500	Excel Enbeam 48 Fibre Optic Splice Closure (FOSC) with Mechanical Seals (Dome Type)
208-501	Excel Enbeam 72 Fibre Optic Splice Closure (FOSC) with Mechanical Seals (Dome Type)
208-502	Excel Enbeam 96 Fibre Optic Splice Closure (FOSC) with Mechanical Seals (Dome Type)
208-503	Excel Enbeam 144 Fibre Optic Splice Closure (FOSC) with Mechanical Seals (Dome Type)

Excel is a world class premium performing end to end infrastructure solution designed, Manufactured, supported and delivered without compromise.

Contact us at [sales@excel-networking.com](mailto:sales@excel-networking.com)



E&OE. Excel is a registered trade name of Mayflex Holdings Ltd.