

Excel Enbeam 96 Fibre Optic Splice Closure (FOSC) with Mechanical Seals (Dome Type)

Part Code: 208-502

sales@excel-networking.com
excel-networking.com



Main Features

- / Up to 144 Fibre
- / IP68
- / Termination and splice kit included
- / Hinged Splice Tray holds up to 24 heatshrink splice protectors
- / UV Resistant
- / Cable entry/exit 4 round 1 x uncut

Product Overview

The Excel Enbeam Dome enclosure allows up to 144 fibres to be installed using compression glands to seal the unit, allowing quick and simple installation methods, without the need for specialist tools. Its IP68 rating allows the unit to be externally mounted on walls, pole or pit applications whilst retaining its performance capability.

Product Specifications

Feature	Values
---------	--------

Excel Enbeam 96 Fibre Optic Splice Closure (FOSC) with Mechanical Seals (Dome Type)

Part Code: 208-502

sales@excel-networking.com
excel-networking.com

Surface mounted	yes
Duct installation	yes
Type of fastening	Screwing
With couplers	no
Suitable for type of fibre	Multi mode/single mode
IP-rating	IP68
Width	230 mm
Height	450 mm

Additional specifications

Features	Values
Weight	4.2 to 4.8 kgs
Maximum number of splice trays	6
Maximum number of fibre per splice tray	24
Standard cable entry point	4
Cable diameter	8mm to 17.5mm
Uncut cable entry point	1
Sealing method	Mechanical
Material	Polypropylene
Colour/Finish	Black
Operating temperature	-40°C to +60°C
UV resistant	Yes

Excel Enbeam 96 Fibre Optic Splice Closure (FOSC) with Mechanical Seals (Dome Type)

Part Code: 208-502

sales@excel-networking.com
excel-networking.com

Included accessories

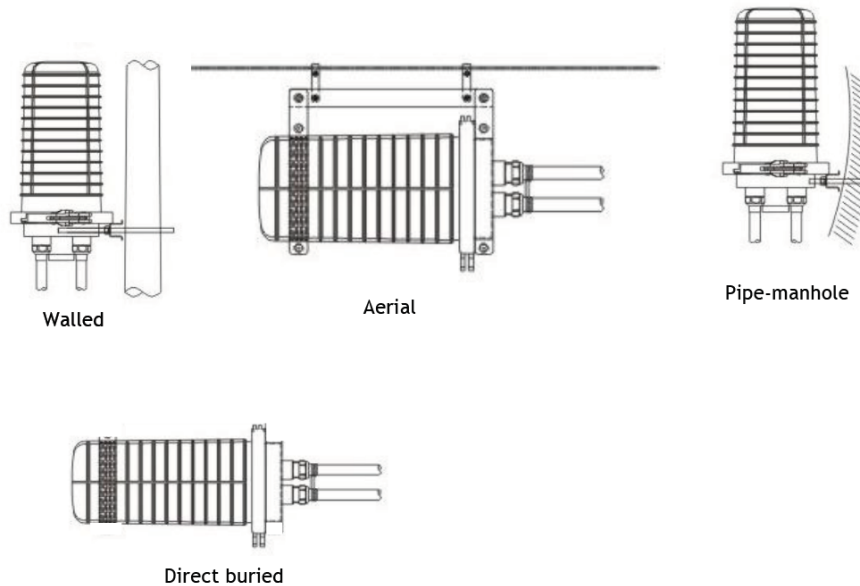
Accessories	Quantity
Splice protectors	up to 144
Nylon tie	12
Pole mounting bracket	1
Insulation tape	1 reel
Wall fixings	2
Rubber sealing glands	8
Blanking plugs	5
Allen key	1

Excel Enbeam 96 Fibre Optic Splice Closure (FOSC) with Mechanical Seals (Dome Type)

Part Code: 208-502

sales@excel-networking.com
excel-networking.com

Product drawing



Standards

Applicable standard	Detail
Directive 2011/65/EU (RoHS II)	Restriction of the Use of Certain Hazardous Substances in Electrical and Electronic Equipment — compliant. Applies within EU member states).
Directive (EU) 2015/863 (RoHS III)	Amending Directive 2011/65/EU to add four phthalates (DEHP, BBP, DBP, DIBP) to Annex II — compliant.
IEC 61754-1:2013	Fibre optic interconnecting devices and passive components - Fibre optic connector interfaces - Part 1: General and guidance
ISO/IEC 11801-1:2017	Information technology - Generic cabling for customer premises: Part 1 General Requirements
EN 50173-1:2018	Information technology. Generic cabling systems - General requirements
Directive 2008/98/EC (WFD)	Waste Framework Directive — compliant. Implemented in

Excel Enbeam 96 Fibre Optic Splice Closure (FOSC) with Mechanical Seals (Dome Type)

Part Code: 208-502

sales@excel-networking.com
excel-networking.com

the UK through the Waste (England and Wales) Regulations 2011 (SI 2011 No. 988).

ECHA SCIP Database	Compliant; product does not contain SVHCs (Substances of Very High Concern) as defined under REACH Article 33(1). Submission obligations met under EU REACH and UK REACH.
Regulation (EU) 2019/1021 (POPs)	EU Regulation on Persistent Organic Pollutants — compliant. For Great Britain, compliance is aligned with the Persistent Organic Pollutants (Amendment) (EU Exit) Regulations 2020 (SI 2020 No. 1355).
UK SI 2012 No. 3032	The Restriction of the Use of Certain Hazardous Substances in Electrical and Electronic Equipment Regulations 2012 (UK RoHS) — compliant for Great Britain. Retained EU law, as amended by the Product Safety and Metrology (Amendment etc.) (EU Exit) Regulations 2019.

Part Code Table

Part Code	Description
208-500	Excel Enbeam 48 Fibre Optic Splice Closure (FOSC) with Mechanical Seals (Dome Type)
208-501	Excel Enbeam 72 Fibre Optic Splice Closure (FOSC) with Mechanical Seals (Dome Type)
208-502	Excel Enbeam 96 Fibre Optic Splice Closure (FOSC) with Mechanical Seals (Dome Type)
208-503	Excel Enbeam 144 Fibre Optic Splice Closure (FOSC) with Mechanical Seals (Dome Type)