

Excel Enbeam 144 Fibre Optic Splice Closure (FOSC) with Mechanical Seals (Dome Type)

excel
without compromise.

Part Code: 208-519

sales@excel-networking.com
excel-networking.com



Main Features

- / IP68 rated to 1.5 meters
- / Integrated pressure valve
- / Includes 144 splice protectors
- / Holds up to 144 single fibres
- / Includes 12 splice trays
- / Mechanical seals

Product Overview

The Enbeam 144 Fibre Splice Enclosure has been designed to allow up to 144 fibres to be spliced and housed within an IP68 rated durable enclosure, which is ideal for harsh environment applications. The enclosure is mechanically sealed via compression glands to allow re-entry without compromising the integrity of the unit.

The enclosures can be mounted in several ways using different mounting brackets (see additional mounting options); wall, pit, pole and aerial. The enclosure allows different splice tray options for Splitters or different fibre counts per tray (see additional tray options).

Excel Enbeam 144 Fibre Optic Splice Closure (FOSC) with Mechanical Seals (Dome Type)

Part Code: 208-519

sales@excel-networking.com
excel-networking.com

Product Specifications

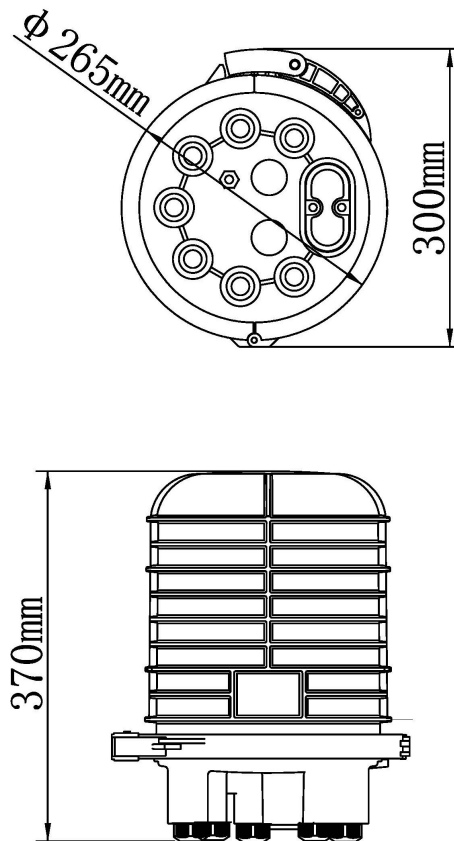
Feature	Values
Surface mounted	yes
Duct installation	yes
Type of fastening	Screwing
With couplers	no
Suitable for type of fibre	Multi mode/single mode
IP-rating	IP68
Height	370 mm

Excel Enbeam 144 Fibre Optic Splice Closure (FOSC) with Mechanical Seals (Dome Type)

Part Code: 208-519

sales@excel-networking.com
excel-networking.com

Product drawing



Additional specifications

Features	Values
Maximum number of fibres	144
Fibres per tray	6 or 12
Number of trays	24 or 12
Number of Oval cable ports	1

Excel Enbeam 144 Fibre Optic Splice Closure (FOSC) with Mechanical Seals (Dome Type)

Part Code: 208-519

sales@excel-networking.com
excel-networking.com

Suitable for cable diameter	12 - 22mm
Number of large cable ports	7
Suitable for cable diameter	8 - 18mm
Heatshink port	2
Suitable for cable diameter	15 - 25mm
IP rating	IP68
Sealing method for all entry and exit	Mechanical
Weight	4.0 - 5.5kgs
Colour	Black
Material	Polypropylene + Glass Fibre
UV resistant	Yes
Mounting kit included	Pole
Operating temperature	-40°C to +65°C

Included accessories

Accessories		Quantity
Rubber sealing glands for round entry ports	To fit cable diameter	Qty
	Single Cable per gland	
	8-13mm	7
	13-18mm	7
	4 x Cables per gland	
	5-7mm	7
	2 x Cables per gland	

Excel Enbeam 144 Fibre Optic Splice Closure (FOSC) with Mechanical Seals (Dome Type)

Part Code: 208-519

sales@excel-networking.com
excel-networking.com

Oval cable type

4.5 x 8.2mm

7

Rubber sealing glands for Oval entry ports

12-16mm	1
	16-22mm
Heatshrink tube included	yes
Splice protectors	Yes
Nylon tie	Yes
Pole mounting bracket	Yes
Insulation tape	Yes
Blanking plugs	yes
Allen key	Yes
Wrench	Yes
Earthing Stud	Yes
Alcohol Wipes	Yes
Transite tube	Yes
Spiral Wrap	Yes

Standards

Applicable standard	Detail
Directive 2011/65/EU (RoHS II)	Restriction of the Use of Certain Hazardous Substances in Electrical and Electronic Equipment — compliant. Applies within EU member states).

Excel Enbeam 144 Fibre Optic Splice Closure (FOSC) with Mechanical Seals (Dome Type)

Part Code: 208-519

sales@excel-networking.com
excel-networking.com

Directive (EU) 2015/863 (RoHS III)	Amending Directive 2011/65/EU to add four phthalates (DEHP, BBP, DBP, DIBP) to Annex II — compliant.
IEC 61754-1:2013	Fibre optic interconnecting devices and passive components - Fibre optic connector interfaces - Part 1: General and guidance
ISO/IEC 11801-1:2017	Information technology - Generic cabling for customer premises: Part 1 General Requirements
EN 50173-1:2018	Information technology. Generic cabling systems - General requirements
Directive 2008/98/EC (WFD)	Waste Framework Directive — compliant. Implemented in the UK through the Waste (England and Wales) Regulations 2011 (SI 2011 No. 988).
ECHA SCIP Database	Compliant; product does not contain SVHCs (Substances of Very High Concern) as defined under REACH Article 33(1). Submission obligations met under EU REACH and UK REACH.
Regulation (EU) 2019/1021 (POPs)	EU Regulation on Persistent Organic Pollutants — compliant. For Great Britain, compliance is aligned with the Persistent Organic Pollutants (Amendment) (EU Exit) Regulations 2020 (SI 2020 No. 1355).
UK SI 2012 No. 3032	The Restriction of the Use of Certain Hazardous Substances in Electrical and Electronic Equipment Regulations 2012 (UK RoHS) — compliant for Great Britain. Retained EU law, as amended by the Product Safety and Metrology (Amendment etc.) (EU Exit) Regulations 2019.

Part Code Table

Part Code	Description
208-518	Excel Enbeam 96 Fibre Optic Splice Closure (FOSC) with Mechanical Seals (Dome Type)
208-519	Excel Enbeam 144 Fibre Optic Splice Closure (FOSC) with Mechanical Seals (Dome Type)

Excel Enbeam 144 Fibre Optic Splice Closure (FOSC) with Mechanical Seals (Dome Type)



Part Code: 208-519

sales@excel-networking.com
excel-networking.com