

Excel Enbeam 288 Fibre Optic Splice Closure (FOSC) with Mechanical Seals (Dome Type)

Item Code: 208-520

excel
without compromise.



✕ IP68 rated to 1.5 meters

✕ Holds up to 288 single fibres

✕ Integrated pressure valve

✕ Includes 24 splice trays

✕ Includes 288 splice protectors

✕ Mechanical seals

Product Overview

The Enbeam 288 Fibre Splice Enclosure has been designed to allow up to 288 fibres to be spliced and housed within an IP68 rated durable enclosure, which is ideal for harsh environment applications. The enclosure is mechanically sealed via compression glands to allow re-entry without compromising the integrity of the unit.

The enclosures can be mounted in several ways using different mounting brackets (see additional mounting options); wall, pit, pole and aerial. The enclosure can be expanded to take up to 360 fibres by increasing the number of trays or to add different splice tray options for Splitters or different fibre counts per tray (see additional tray options).

Product Specifications

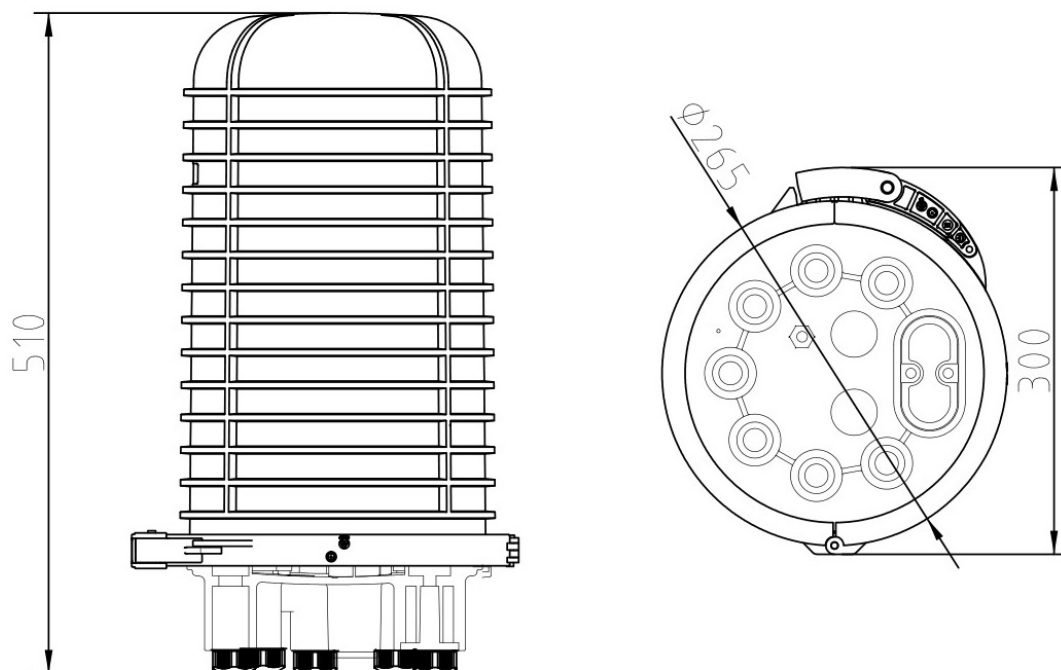
Feature	Values
Surface mounted	yes
Duct installation	yes
Type of fastening	Screwing
With couplers	no
Suitable for type of fibre	Multi mode/single mode
IP-rating	IP68
Height	510 mm

Excel Enbeam 288 Fibre Optic Splice Closure (FOSC) with Mechanical Seals (Dome Type)

Item Code: 208-520

excel
without compromise.

Product drawing



Additional specifications

Features	Values
Maximum number of fibres	360
Fibres per tray	6 or 12
Number of trays	60 or 30
Number of Oval cable ports	1
Suitable for cable diameter	12 - 22mm
Number of large cable ports	7
Suitable for cable diameter	8 - 18mm
Heatshink port	2

Excel Enbeam 288 Fibre Optic Splice Closure (FOSC) with Mechanical Seals (Dome Type)

Item Code: 208-520



Suitable for cable diameter	15 - 25mm
IP rating	IP68
Sealing method for all entry and exit	Mechanical
Weight	4.0 - 5.5kgs
Colour	Black
Material	Polypropylene + Glass Fibre
UV resistant	Yes
Mounting kit included	Pole
Operating temperature	-40°C to +65°C

Included accessories

Accessories	Quantity
Rubber sealing glands for round entry ports	To fit cable diameter Qty
	Single Cable per gland
	8-13mm 7
	13-18mm 7
	4 x Cables per gland
	5-7mm 7
	2 x Cables per gland
	Oval cable type
	4.5 x 8.2mm 7

Rubber sealing glands for Oval entry ports

	12-16mm	1
	16 -22mm	1
Heatshrink tube included	yes	2
Splice protectors	Yes	
Nylon tie	Yes	
Pole mounting bracket	Yes	
Insulation tape	Yes	
Blanking plugs	yes	9

Excel Enbeam 288 Fibre Optic Splice Closure (FOSC) with Mechanical Seals (Dome Type)

Item Code: 208-520



Allen key	Yes
Wrench	Yes
Earthing Stud	Yes
Alcohol Wipes	Yes
Transite tube	Yes
Spiral Wrap	Yes

Standards

Applicable standard	Detail
RoHS-II/-III (2011/65/EU & 2015/863): 2023	Our products, demonstrate full adherence to the regulatory stipulations of the EU Directive 2011/65/EU (RoHS-II) and its corresponding delegated directive 2015/863 (RoHS-III).
IEC 61754-1:2013	Fibre optic interconnecting devices and passive components - Fibre optic connector interfaces - Part 1: General and guidance
ISO/IEC 11801-1:2017	Information technology - Generic cabling for customer premises: Part 1 General Requirements
EN 50173-1:2018	Information technology. Generic cabling systems - General requirements
WFD: 2023	Compliant to Waste Framework Directive
SCIP: 2023	Compliant - Does Not Contain Substances of Concern In articles as such or in complex objects (Products)
POPs (EU) No 2019/1021	EU Regulation for the restriction of Persistent Organic Pollutants.

Part Number Table

Part Number	Description
208-520	Excel Enbeam 288 Fibre Optic Splice Closure (FOSC) with Mechanical Seals (Dome Type)
208-521	Excel Enbeam 360 Fibre Optic Splice Closure (FOSC) with Mechanical Seals (Dome Type)

Excel is a world class premium performing end to end infrastructure solution designed, Manufactured, supported and delivered without compromise.

Contact us at sales@excel-networking.com



E&OE. Excel is a registered trade name of Mayflex Holdings Ltd.