

Excel Enbeam 648 Fibre Optic Splice Closure (FOSC) with Mechanical Seals (Dome Type)

Item Code: 208-523

excel
without compromise.



IP68 rated to 1.5 meters

Holds up to 648 single fibres

Integrated pressure valve

Includes 54 splice trays

Includes 648 splice protectors

Mechanical seals

Product Overview

The Enbeam 648 Fibre Splice Enclosure has been designed to allow up to 648 fibres to be spliced and housed within an IP68 rated durable enclosure, which is ideal for harsh environment applications. The enclosure is mechanically sealed via compression glands to allow re-entry without compromising the integrity of the unit.

The enclosures can be mounted in several ways using different mounting brackets (see additional mounting options); wall, pit, pole and aerial. The enclosure allows different splice tray options for Splitters or different fibre counts per tray (see additional tray options).

Product Specifications

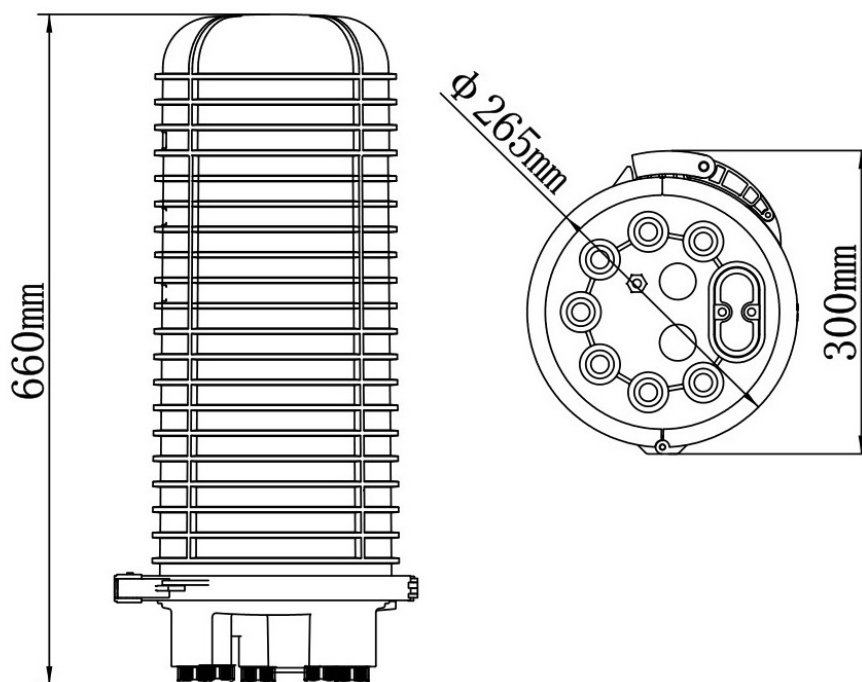
Feature	Values
Surface mounted	yes
Duct installation	yes
Type of fastening	Screwing
With couplers	no
Suitable for type of fibre	Multi mode/single mode
IP-rating	IP68
Height	660 mm

Excel Enbeam 648 Fibre Optic Splice Closure (FOSC) with Mechanical Seals (Dome Type)

Item Code: 208-523

excel
without compromise.

Product drawing



Additional specifications

Features	Values
Maximum number of fibres	648
Fibres per tray	6 or 12
Number of trays	108 or 54
Number of Oval cable ports	1
Suitable for cable diameter	12 - 22mm
Number of large cable ports	7
Suitable for cable diameter	8 - 18mm
Heatshink port	2

Excel Enbeam 648 Fibre Optic Splice Closure (FOSC) with Mechanical Seals (Dome Type)

Item Code: 208-523



Suitable for cable diameter	15 - 25mm
IP rating	IP68
Sealing method for all entry and exit	Mechanical
Weight	6.0 - 8.0kgs
Colour	Black
Material	Polypropylene + Glass Fibre
UV resistant	Yes
Mounting kit included	Pole
Operating temperature	-40°C to +65°C

Included accessories

Accessories		Quantity
Rubber sealing glands for round entry ports	To fit cable diameter	Qty
	Single Cable per gland	
	8-13mm	7
	13-18mm	7
	4 x Cables per gland	
	5-7mm	7
	2 x Cables per gland	
	Oval cable type	
	4.5 x 8.2mm	7

Rubber sealing glands for Oval entry ports

12-16mm	1
	16 -22mm
Heatshrink tube included	yes
Splice protectors	Yes
Nylon tie	Yes
Pole mounting bracket	Yes
Insulation tape	Yes
Blanking plugs	yes

Excel Enbeam 648 Fibre Optic Splice Closure (FOSC) with Mechanical Seals (Dome Type)

Item Code: 208-523



Allen key	Yes
Wrench	Yes
Earthing Stud	Yes
Alcohol Wipes	Yes
Transite tube	Yes
Spiral Wrap	Yes

Standards

Applicable standard	Detail
Directive 2011/65/EU (RoHS II)	Restriction of the Use of Certain Hazardous Substances in Electrical and Electronic Equipment — compliant. Applies within EU member states).
Directive (EU) 2015/863 (RoHS III)	Amending Directive 2011/65/EU to add four phthalates (DEHP, BBP, DBP, DIBP) to Annex II — compliant.
IEC 61754-1:2013	Fibre optic interconnecting devices and passive components - Fibre optic connector interfaces - Part 1: General and guidance
ISO/IEC 11801-1:2017	Information technology - Generic cabling for customer premises: Part 1 General Requirements
EN 50173-1:2018	Information technology. Generic cabling systems - General requirements
Directive 2008/98/EC (WFD)	Waste Framework Directive — compliant. Implemented in the UK through the Waste (England and Wales) Regulations 2011 (SI 2011 No. 988).
ECHA SCIP Database	Compliant; product does not contain SVHCs (Substances of Very High Concern) as defined under REACH Article 33(1). Submission obligations met under EU REACH and UK REACH.
Regulation (EU) 2019/1021 (POPs)	EU Regulation on Persistent Organic Pollutants — compliant. For Great Britain, compliance is aligned with the Persistent Organic Pollutants (Amendment) (EU Exit) Regulations 2020 (SI 2020 No. 1355).
UK SI 2012 No. 3032	The Restriction of the Use of Certain Hazardous Substances in Electrical and Electronic Equipment Regulations 2012 (UK RoHS) — compliant for Great Britain. Retained EU law, as amended by the Product Safety and Metrology (Amendment etc.) (EU Exit) Regulations 2019.

Excel Enbeam 648 Fibre Optic Splice Closure (FOSC) with Mechanical Seals (Dome Type)

Item Code: 208-523



Part Number Table

Part Number	Description
208-522	Excel Enbeam 576 Fibre Optic Splice Closure (FOSC) with Mechanical Seals (Dome Type)
208-523	Excel Enbeam 648 Fibre Optic Splice Closure (FOSC) with Mechanical Seals (Dome Type)

Excel is a world class premium performing end to end infrastructure solution designed, Manufactured, supported and delivered without compromise.

Contact us at sales@excel-networking.com



E&OE. Excel is a registered trade name of Mayflex Holdings Ltd.