

Excel Enbeam 24 Way Multimode OM4 Fibre Optic Panel 24 LC Duplex (48 Fibre) Violet

Item Code: 244-466

excel
without compromise.



✕ Management and fixing kit included

✕ Upto 24 duplex adaptors per patch panel

✕ Port identification numbers

✕ Sliding drawer on ball bearing runners

✕ Recessed adaptors

✕ Special configurations made to order

✕ 25 year system warranty

Product Overview

The Excel range of LC patch panels are sliding drawer "tray style" housings suitable for either direct termination or splicing of up to 48 when using LC duplex connections in a 1U space. Each panel is manufactured from a mix of 1 mm thick steel with a powder coated finish and a high-density polycarbonate sliding tray, offering a lightweight, strong durable unit.

To the front of the patch panel the specified number of duplex adaptors are loaded from left to right. Each panel utilises colour coded adaptors, beige, aqua and violet for multimode, blue for single mode and green for SM APC. Each duplex adaptor accommodates 2 terminated fibres.

This design delivers lower emissions and less reliance on mineral extraction, while achieving a 36% decrease in embedded carbon compared with the metal version. The lighter construction also minimises floor loading during installation and decreases the overall cabinet weight, improving handling and installation efficiency.

Additional features include easier one-person installation, integrated knockouts, and rear entry points on both the left and right sides for improved cable access and flexibility.

Note that this panel accepts flanged and flangeless LC adaptors and can be assembled to order using a combination of adaptors, pigtailed and splice cassettes - call to enquire.

Product Specifications

Feature	Values
Suitable for number of fibre cores	48
Suitable for number of module inserts	24

Excel Enbeam 24 Way Multimode OM4 Fibre Optic Panel 24 LC Duplex (48 Fibre) Violet

Item Code: 244-466



Loaded with number of couplings/adapters	24
With pigtails	no
Fibre type	Multi mode 50/125
Fibre class	OM4
APC-type	no
Type of connector external	LC-Duplex
Type of connector interior	LC-Duplex
Colour	Black
RAL-number	9005
Mounting method	482.6 mm (19 inch) mounting
Number of rack units (RU)	1
Height	44 mm
Width	482 mm
Depth	219.5 mm

Additional specifications

Feature	Value
Operating temperature	-40 to +80 °C
IP rating	IP20
Cable entry 20 mm	2
Cable entry 25 mm	2
Blown fibre entry	8
Material	Colds rolled steel and polycarbonate
Material thickness	1 mm
Material coating (metal)	Powder coating
Polycarbonate material thickness	Various
RoHs compliant adaptor	yes
Designed in accordance with	ISO/IEC 11801, IEC60304, IEC61754, TIA/EIA 568.D

Excel Enbeam 24 Way Multimode OM4 Fibre Optic
Panel 24 LC Duplex (48 Fibre) Violet

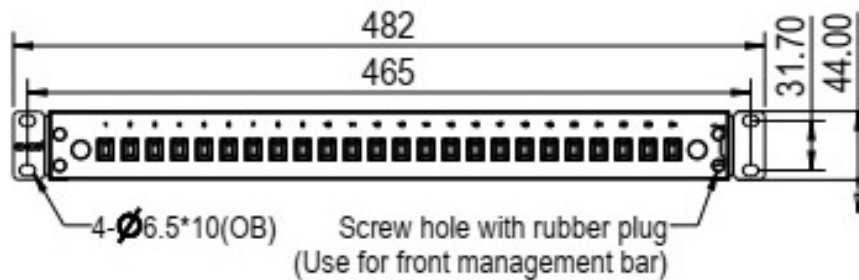
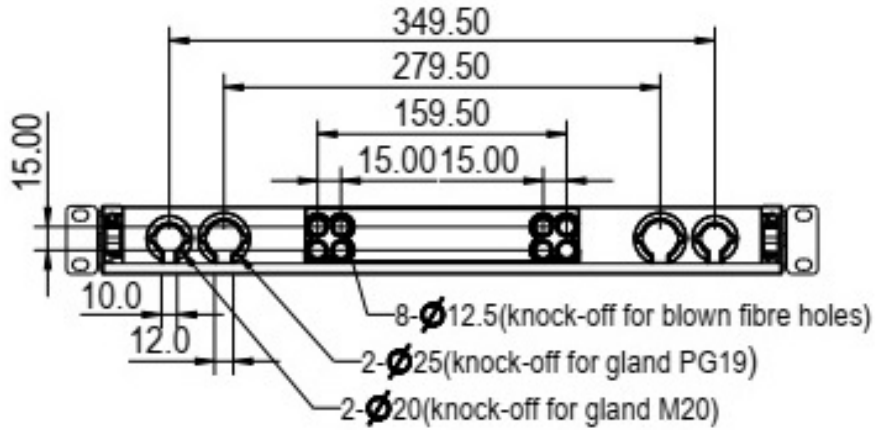
Item Code: 244-466



Product drawing

Excel Enbeam 24 Way Multimode OM4 Fibre Optic Panel 24 LC Duplex (48 Fibre) Violet

Item Code: 244-466



LC duplex adaptor with dust caps

Excel Enbeam 24 Way Multimode OM4 Fibre Optic Panel 24 LC Duplex (48 Fibre) Violet

Item Code: 244-466



Included accessories

Accessories	Quantity
Cable gland (PG 13.5)	1
Cable gland (PG 19)	1
Nylon cable tie	7
24 position splice holder	4
Adjustable cable tie	2
Mounting twist tie	4
Cage nuts and screws	(1-Pack)
SC duplex blanks	24

Standards

Applicable standard	Detail
RoHS-II/-III (2011/65/EU & 2015/863): 2023	Our products, demonstrate full adherence to the regulatory stipulations of the EU Directive 2011/65/EU (RoHS-II) and its corresponding delegated directive 2015/863 (RoHS-III).
WFD: 2023	Compliant to Waste Framework Directive
SCIP: 2023	Compliant - Does Not Contain Substances of Concern In articles as such or in complex objects (Products)
POPs (EU) No 2019/1021	EU Regulation for the restriction of Persistent Organic Pollutants.

Part Number Table

Part Number	Description
233-460	Excel Enbeam 24 Way Multimode OM3 Fibre Optic Panel 4 LC Duplex (8 Fibre) Aqua
233-461	Excel Enbeam 24 Way Multimode OM3 Fibre Optic Panel 6 LC Duplex (12 Fibre) Aqua
233-462	Excel Enbeam 24 Way Multimode OM3 Fibre Optic Panel 8 LC Duplex (16 Fibre) Aqua
233-464	Excel Enbeam 24 Way Multimode OM3 Fibre Optic Panel 12 LC Duplex (24 Fibre) Aqua
233-466	Excel Enbeam 24 Way Multimode OM3 Fibre Optic Panel 24 LC Duplex (48

Excel Enbeam 24 Way Multimode OM4 Fibre Optic Panel 24 LC Duplex (48 Fibre) Violet

Item Code: 244-466



Fibre) Aqua

244-460	Excel Enbeam 24 Way Multimode OM4 Fibre Optic Panel 4 LC Duplex (8 Fibre) Violet
244-461	Excel Enbeam 24 Way Multimode OM4 Fibre Optic Panel 6 LC Duplex (12 Fibre) Violet
244-462	Excel Enbeam 24 Way Multimode OM4 Fibre Optic Panel 8 LC Duplex (16 Fibre) Violet
244-464	Excel Enbeam 24 Way Multimode OM4 Fibre Optic Panel 12 LC Duplex (24 Fibre) Violet
244-466	Excel Enbeam 24 Way Multimode OM4 Fibre Optic Panel 24 LC Duplex (48 Fibre) Violet

Excel is a world class premium performing end to end infrastructure solution designed, Manufactured, supported and delivered without compromise.

Contact us at sales@excel-networking.com



E&OE. Excel is a registered trade name of Mayflex Holdings Ltd.