

Excel 4-Compartment Floor Box (Including 1 Double Switched Power Socket)

Part Code: 350-603

sales@excel-networking.com
excel-networking.com



Main Features

- / Quick to install
- / Lid fitted with two cable entry flaps
- / 25 Year system warranty
- / Wide range of accessory plates
- / Supplied with 13A Twin Switched BS1363 Socket

Product Overview

The Excel 4 compartment floor box has been improved with added features to aid installation and use. Installation is quick and easy and achieved using the self lock fixings to hold the floor box in place.

The lid is recessed to accept carpet or other floor finish and can be removed and re-orientated through 180 degrees to suite the cable entry options.

A wide range of accessory plates are available for power, data and telecommunication services. Accessory plates can be removed via the top opening. The floor box is supplied complete with one 13A Twin Switched BS1363 Socket.

Excel 4-Compartment Floor Box (Including 1 Double Switched Power Socket)

Part Code: 350-603

sales@excel-networking.com
excel-networking.com

Product Specifications

Feature	Values
Cover model	Rectangular
Number of compartments	4
Surface protection cover	Zinc coating
With carpet opening	yes
Depth of flooring recess	105 mm
Colour	Grey
RAL-number	7011
Suitable for hollow floor	yes
Outside width	201 mm
Outer length	327 mm
Length built-in dimension	310 mm
Width built-in dimension	220 mm
Minimum built-in depth	100 mm

Additional specifications

Item	Features	Values
PA/ABS	Density	1.12 g/cm ³
	Linear expansion	70 x 10 ⁻⁶ m/m
	Water absorption	0.009
	Volume resistivity	1014Ω cm
	Fire rating	UL 94 HB (halogen-free)

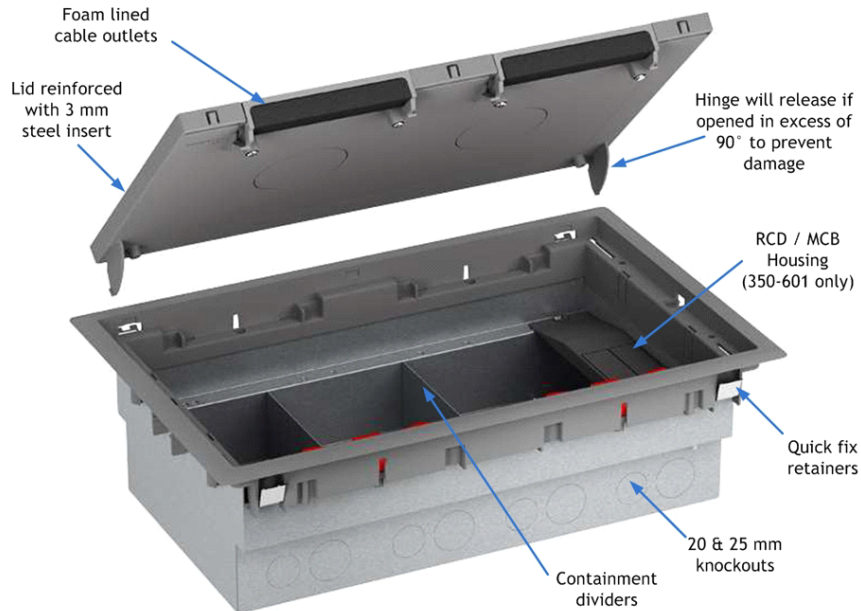
Excel 4-Compartment Floor Box (Including 1 Double Switched Power Socket)

Part Code: 350-603

sales@excel-networking.com
excel-networking.com

Sheet Steel	Specification	S 350 GD
	Density	7.8 g/cm ³
Other	Operating temperature range	-25°C to +60°C

Product details



Excel 4-Compartment Floor Box (Including 1 Double Switched Power Socket)

Part Code: 350-603

sales@excel-networking.com
excel-networking.com

Compatible accessories

	3 Compartment	4 Compartment
Dimensions	173 mm x 87 mm	173 mm x 75 mm
Double switched sockets UK BS 1363 Dual earth	 350-605	 350-607
6 Way LJ6c Data Plate	 350-609	 350-611
Double Gang Plate	 350-613	
2 x Single Gang Plate	 350-615	
2 x Euromod Frame Plate	 350-619	
Blank Plate	 350-621	

Standards

Applicable standard	Detail
BS EN 60670-1:2005 + A1:2013	Boxes and enclosures for electrical accessories for household and similar fixed electrical installations general requirements
BS EN 61340-5-1:2007	Protection of electronic devices from electrostatic phenomena. General requirements apply to activities that:

Excel 4-Compartment Floor Box (Including 1 Double Switched Power Socket)

Part Code: 350-603

sales@excel-networking.com
excel-networking.com

manufacture, process, assemble, install, package, label, service, test, inspect, transport or otherwise handle electrical or electronic parts, assemblies and equipment susceptible to damage by electrostatic discharges greater than or equal to 100 V human body model (HBM).

BS EN 60529:1992+A2:2013	Degrees of Protection provided by Enclosures (IP CODE)
Directive 2011/65/EU (RoHS II)	Restriction of the Use of Certain Hazardous Substances in Electrical and Electronic Equipment — compliant. Applies within EU member states).
Directive (EU) 2015/863 (RoHS III)	Amending Directive 2011/65/EU to add four phthalates (DEHP, BBP, DBP, DIBP) to Annex II — compliant.
Directive 2008/98/EC (WFD)	Waste Framework Directive — compliant. Implemented in the UK through the Waste (England and Wales) Regulations 2011 (SI 2011 No. 988).
ECHA SCIP Database	Compliant; product does not contain SVHCs (Substances of Very High Concern) as defined under REACH Article 33(1). Submission obligations met under EU REACH and UK REACH.
Regulation (EU) 2019/1021 (POPs)	EU Regulation on Persistent Organic Pollutants — compliant. For Great Britain, compliance is aligned with the Persistent Organic Pollutants (Amendment) (EU Exit) Regulations 2020 (SI 2020 No. 1355).
UK SI 2012 No. 3032	The Restriction of the Use of Certain Hazardous Substances in Electrical and Electronic Equipment Regulations 2012 (UK RoHS) — compliant for Great Britain. Retained EU law, as amended by the Product Safety and Metrology (Amendment etc.) (EU Exit) Regulations 2019.

Part Code Table

Part Code	Description
350-601	Excel 3-Compartment Floor Box (Including 1 Double Switched Power Socket)
350-603	Excel 4-Compartment Floor Box (Including 1 Double Switched Power Socket)

Excel 4-Compartment Floor Box (Including 1 Double Switched Power Socket)

Part Code: 350-603

sales@excel-networking.com
excel-networking.com

350-605	Excel Double Switched Power Socket For 350-601 3-Compartment Floor Box
350-607	Excel Double Switched Power Socket For 350-603 4-Compartment Floor Box
350-609	Excel 6 Way LJ6C Data Plate For 350-601 3-Compartment Floor Box
350-611	Excel 6 Way LJ6C Data Plate For 350-603 4-Compartment Floor Box
350-613	Excel Double Gang Plate For 350-601 3-Compartment Floor Box
350-615	Excel 2x Single Gang Plate For 350-601 3 Compartment Floor Box
350-619	Excel 2x Euromod Frame Plate For 350-601 3 Compartment Floor Box