

# Excel Double Switched Power Socket For 350-601 3-Compartment Floor Box

Item Code: 350-605

**excel**  
without compromise.



Dual earth as standard

Switched

Dimension : 173mm x 87mm

## Product Overview

Double switched sockets UK BS 1363 Dual earth. For use with Excel 3 Compartment Floorbox

## Product Specifications

Feature	Values
Socket outlet combination	Double
Type of socket outlets	British Standard (BS1363)
Width	173 mm
Depth	87 mm

## Additional specifications

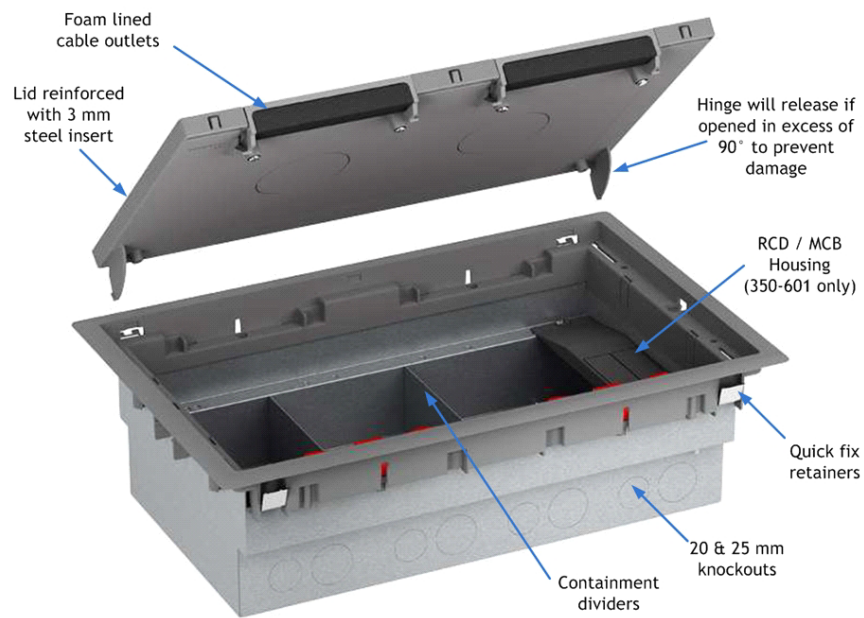
Item	Features	Values
PA/ABS	Density	1.12 g/cm <sup>3</sup>
	Linear expansion	70 x 10 <sup>-6</sup> m/m
	Water absorption	0.009
	Volume resistivity	1014Ω cm
	Fire rating	UL 94 HB (halogen-free)
Sheet Steel	Specification	S 350 GD
	Density	7.8 g/cm <sup>3</sup>
Other	Operating temperature range	-25°C to +60°C

# Excel Double Switched Power Socket For 350-601 3-Compartment Floor Box

Item Code: 350-605

**excel**  
without compromise.

## Product details



# Excel Double Switched Power Socket For 350-601 3-Compartment Floor Box

Item Code: 350-605



## Compatible accessories

	3 Compartment	4 Compartment
Dimensions	173 mm x 87 mm	173 mm x 75 mm
Double switched sockets UK BS 1363 Dual earth	 350-605	 350-607
6 Way LJ6c Data Plate	 350-609	 350-611
Double Gang Plate	 350-613	
2 x Single Gang Plate	 350-615	
2 x Euromod Frame Plate	 350-619	
Blank Plate	 350-621	

## Standards

Applicable standard	Detail
BS EN 60670-1:2005 + A1:2013	Boxes and enclosures for electrical accessories for household and similar fixed electrical installations general requirements
BS EN 61340-5-1:2007	Protection of electronic devices from electrostatic phenomena. General requirements apply to activities that: manufacture, process, assemble, install, package, label, service, test, inspect, transport or otherwise handle electrical or electronic parts, assemblies and equipment susceptible to damage by electrostatic discharges greater than or equal to 100 V human body model (HBM).
BS EN 60529:1992+A2:2013	Degrees of Protection provided by Enclosures ( IP CODE )

# Excel Double Switched Power Socket For 350-601 3-Compartment Floor Box

Item Code: 350-605



Directive 2011/65/EU (RoHS II)	Restriction of the Use of Certain Hazardous Substances in Electrical and Electronic Equipment — compliant. Applies within EU member states).
Directive (EU) 2015/863 (RoHS III)	Amending Directive 2011/65/EU to add four phthalates (DEHP, BBP, DBP, DIBP) to Annex II — compliant.
Directive 2008/98/EC (WFD)	Waste Framework Directive — compliant. Implemented in the UK through the Waste (England and Wales) Regulations 2011 (SI 2011 No. 988).
ECHA SCIP Database	Compliant; product does not contain SVHCs (Substances of Very High Concern) as defined under REACH Article 33(1). Submission obligations met under EU REACH and UK REACH.
Regulation (EU) 2019/1021 (POPs)	EU Regulation on Persistent Organic Pollutants — compliant. For Great Britain, compliance is aligned with the Persistent Organic Pollutants (Amendment) (EU Exit) Regulations 2020 (SI 2020 No. 1355).
UK SI 2012 No. 3032	The Restriction of the Use of Certain Hazardous Substances in Electrical and Electronic Equipment Regulations 2012 (UK RoHS) — compliant for Great Britain. Retained EU law, as amended by the Product Safety and Metrology (Amendment etc.) (EU Exit) Regulations 2019.

## Part Number Table

Part Number	Description
350-601	Excel 3-Compartment Floor Box (Including 1 Double Switched Power Socket)
350-603	Excel 4-Compartment Floor Box (Including 1 Double Switched Power Socket)
350-605	Excel Double Switched Power Socket For 350-601 3-Compartment Floor Box
350-607	Excel Double Switched Power Socket For 350-603 4-Compartment Floor Box
350-609	Excel 6 Way LJ6C Data Plate For 350-601 3-Compartment Floor Box
350-611	Excel 6 Way LJ6C Data Plate For 350-603 4-Compartment Floor Box
350-613	Excel Double Gang Plate For 350-601 3-Compartment Floor Box
350-615	Excel 2x Single Gang Plate For 350-601 3 Compartment Floor Box
350-619	Excel 2x Euromod Frame Plate For 350-601 3 Compartment Floor Box

Excel is a world class premium performing end to end infrastructure solution designed, Manufactured, supported and delivered without compromise.

Contact us at [sales@excel-networking.com](mailto:sales@excel-networking.com)



E&OE. Excel is a registered trade name of Mayflex Holdings Ltd.