

Excel 4 Way GOP Box Plus 25 mm Narrow (10-Pack)

Part Code: 350-640-N

sales@excel-networking.com
excel-networking.com



Main Features

- / 2-way or 4-way design available
- / 25 mm knock out for conduit
- / Narrow design at 42 mm wide
- / Lj6C aperature size
- / Accepts all Excel Lj6C modules
- / 25-year system warranty

Product Overview

The Excel grid outlet position (GOP) box narrow has been developed from the successful original versions. This range is available in two versions from 2 way to 4 way. The 2 and 4 way are available with a 25 mm flexible conduit fixing point. The range has been developed for fixing to the end of flexible conduit typically where outlets are presented in a grid layout with cable containment mounted within a raised floor system. The GOP box then has a degree of flexibility to be positioned within the radius of the flexible conduit to suit the office layout. 25 mm and 32 mm "L" brackets are available to fix the other end of the flexible conduit to the floor slab. GOP Boxes are typically then attached to the underside of the desk, the flexible conduit passing through the floor tile via a grommet. These Plus versions are enhanced with...

Excel 4 Way GOP Box Plus 25 mm Narrow (10-Pack)

Part Code: 350-640-N

sales@excel-networking.com
excel-networking.com

Product Specifications

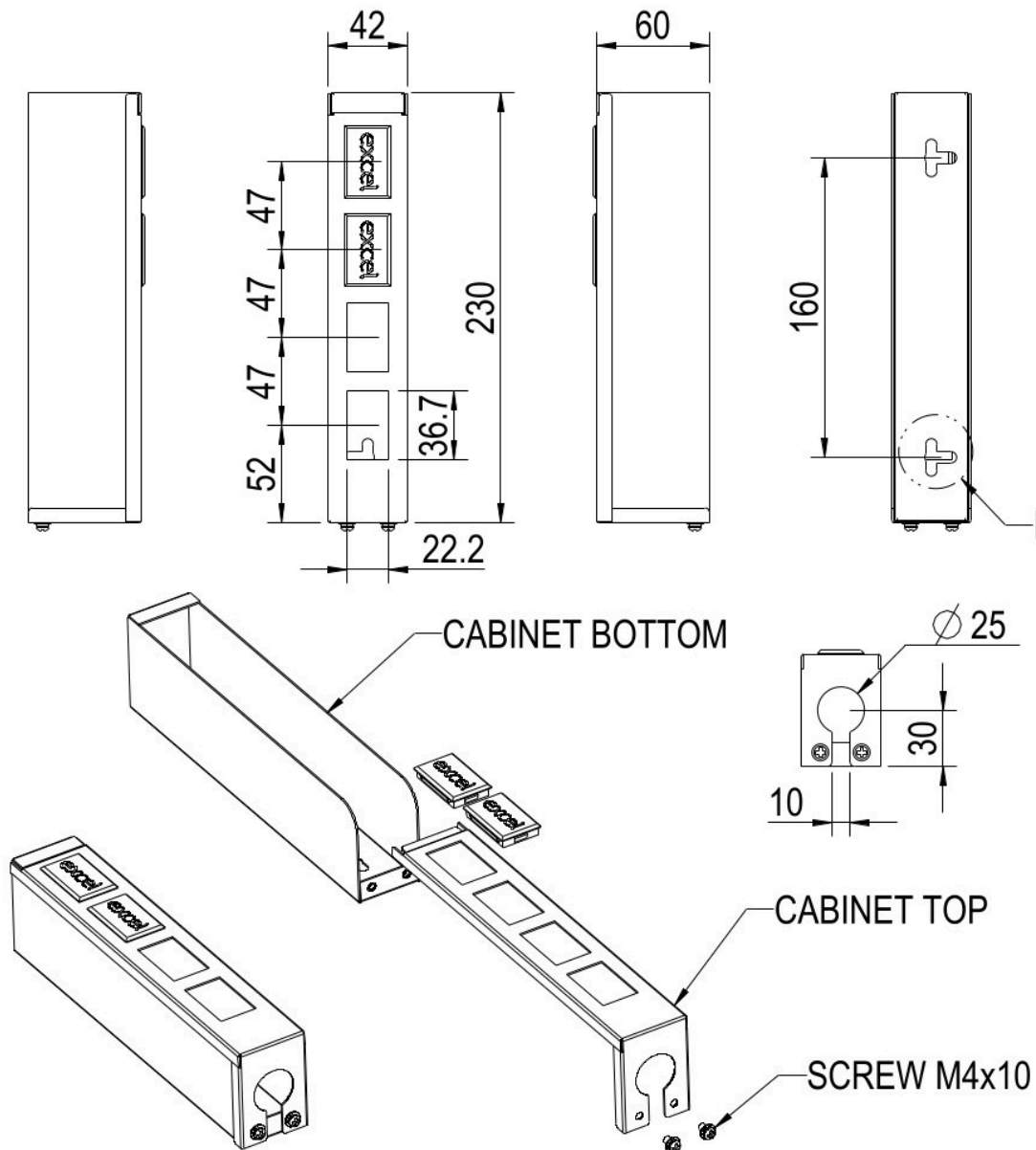
Feature	Values
Surface mounted	yes
Floor box/sub-floor mounted	yes
Type of fastening	Screwing
With outlets/modules	no
Suitable for number of outlets/modules	4
With label space	no

Excel 4 Way GOP Box Plus 25 mm Narrow (10-Pack)

Part Code: 350-640-N

sales@excel-networking.com
excel-networking.com

Product drawing



Excel 4 Way GOP Box Plus 25 mm Narrow (10-Pack)

Part Code: 350-640-N

sales@excel-networking.com
excel-networking.com

Standards

Applicable standard	Detail
Directive 2011/65/EU (RoHS II)	Restriction of the Use of Certain Hazardous Substances in Electrical and Electronic Equipment — compliant. Applies within EU member states).
Directive (EU) 2015/863 (RoHS III)	Amending Directive 2011/65/EU to add four phthalates (DEHP, BBP, DBP, DIBP) to Annex II — compliant.
Directive 2008/98/EC (WFD)	Waste Framework Directive — compliant. Implemented in the UK through the Waste (England and Wales) Regulations 2011 (SI 2011 No. 988).
ECHA SCIP Database	Compliant; product does not contain SVHCs (Substances of Very High Concern) as defined under REACH Article 33(1). Submission obligations met under EU REACH and UK REACH.
Regulation (EU) 2019/1021 (POPs)	EU Regulation on Persistent Organic Pollutants — compliant. For Great Britain, compliance is aligned with the Persistent Organic Pollutants (Amendment) (EU Exit) Regulations 2020 (SI 2020 No. 1355).
UK SI 2012 No. 3032	The Restriction of the Use of Certain Hazardous Substances in Electrical and Electronic Equipment Regulations 2012 (UK RoHS) — compliant for Great Britain. Retained EU law, as amended by the Product Safety and Metrology (Amendment etc.) (EU Exit) Regulations 2019.

Part Code Table

Part Code	Description
350-640-N	Excel 4 Way GOP Box Plus 25 mm Narrow (10-Pack)