

Environ CR/ER/SR Combination Lock

Item Code: 542-005

excel
without compromise.



✕ Compatible with Environ CR, ER & SR

✕ User Defined 3 Digit Combination

✕ Key Override

✕ Works with Single & Double Doors

✕ Alternative to issuing keys for entry

✕ Cannot be fitted to CR and WR series Steel doors

Product Overview

Excel Environ Combination Rack Lock can easily replace the "T" handle lock fitted to Environ racks to offer an alternative to issue keys for access. The user can define the combination that is required to open the lock and it is supplied with a key override. Full fixings are supplied with the lock, to permit fitting to Single or Double doors within the CR, ER & SR ranges. The same lock is used with the 1, 2 & 3 point locking systems.

Product Specifications

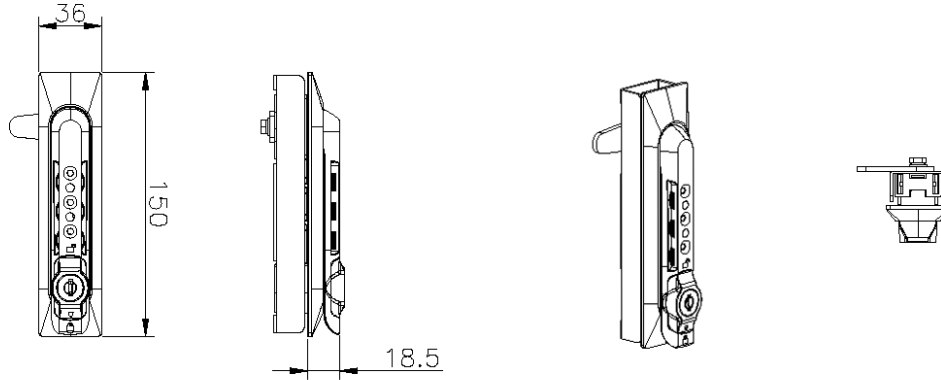
Feature	Values
Type of handle	Key
Padlock	no
Espagnolette locking (3-point locking)	yes
Type of closure	Combination lock

Environ CR/ER/SR Combination Lock

Item Code: 542-005



Product drawing



Standards

Applicable standard	Detail
RoHS-II/III (2011/65/EU & 2015/863): 2023	Our products, demonstrate full adherence to the regulatory stipulations of the EU Directive 2011/65/EU (RoHS-II) and its corresponding delegated directive 2015/863 (RoHS-III).
WFD: 2023	Compliant to Waste Framework Directive
SCIP: 2023	Compliant - Does Not Contain Substances of Concern In articles as such or in complex objects (Products)
POPs (EU) No 2019/1021	EU Regulation for the restriction of Persistent Organic Pollutants.

Part Number Table

Part Number	Description
542-005	Environ CR/ER/SR Combination Lock

Excel is a world class premium performing end to end infrastructure solution designed, Manufactured, supported and delivered without compromise.

Contact us at sales@excel-networking.com



E&OE. Excel is a registered trade name of Mayflex Holdings Ltd.