

Excel Four Way Roof Mount Fan Trays Black

Item Code: 542-044-BK

excel
without compromise.



Four fans per tray

Supplied with UK and Schuko power leads

Quick and easy to install

Noise level 27-28db

Choice of colours

Airflow 78-84m³/hour per fan

CIBSE TM65 Embodied Carbon: 25.892 kg CO₂e

Product Overview

The four way fan fits into the roof section of the Environ CR, ER & SR Racks and consists of four 230V, 50Hz fans. The Fan trays are supplied with BS1363 (UK) and Schuko 3m IEC 60320 C13 power leads. The IEC 60320 C13 power leads allow for easy installation and may be replaced to suit the specific power connection.

Product Specifications

Feature	Values
Number of fans	4
Operating voltage at AC 50 Hz	230...230 V
Voltage type	AC
Roof mounted	yes
Volume flow, freeblowing	78...84
Rated power	30 W
Mounting method	Screw mounting
Suitable for 19 inch rack mounting	no
Colour	Black

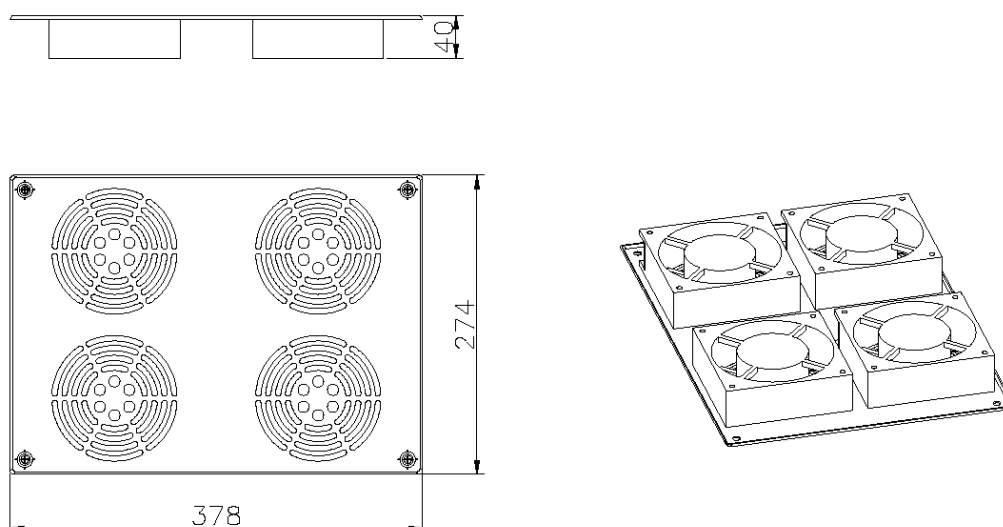
Excel Four Way Roof Mount Fan Trays Black



Item Code: 542-044-BK

RAL-number	9004
Width	378 mm
Depth	274 mm

Product drawing



Standards

Applicable standard	Detail
Directive 2011/65/EU (RoHS II)	Restriction of the Use of Certain Hazardous Substances in Electrical and Electronic Equipment — compliant. Applies within EU member states).
Directive (EU) 2015/863 (RoHS III)	Amending Directive 2011/65/EU to add four phthalates (DEHP, BBP, DBP, DIBP) to Annex II — compliant.
Directive 2008/98/EC (WFD)	Waste Framework Directive — compliant. Implemented in the UK through the Waste (England and Wales) Regulations 2011 (SI 2011 No. 988).
ECHA SCIP Database	Compliant; product does not contain SVHCs (Substances of Very High Concern) as defined under REACH Article 33(1). Submission obligations met under EU REACH and UK REACH.
Regulation (EU) 2019/1021 (POPs)	EU Regulation on Persistent Organic Pollutants — compliant. For Great Britain, compliance is aligned with the Persistent Organic Pollutants (Amendment) (EU Exit) Regulations 2020 (SI 2020 No. 1355).

Excel Four Way Roof Mount Fan Trays Black



Item Code: 542-044-BK

UK SI 2012 No. 3032

The Restriction of the Use of Certain Hazardous Substances in Electrical and Electronic Equipment Regulations 2012 (UK RoHS) — compliant for Great Britain. Retained EU law, as amended by the Product Safety and Metrology (Amendment etc.) (EU Exit) Regulations 2019.

Part Number Table

Part Number	Description
542-044-BK	Excel Four Way Roof Mount Fan Trays Black
542-044-GE	Excel Four Way Roof Mount Fan Trays Grey White

Excel is a world class premium performing end to end infrastructure solution designed, Manufactured, supported and delivered without compromise.

Contact us at sales@excel-networking.com



E&OE. Excel is a registered trade name of Mayflex Holdings Ltd.