

# Excel SR-ER/CR Baying Kit Grey/White

Part Code: 542-248-GW

sales@excel-networking.com  
excel-networking.com

CIBSE TM65 Embodied Carbon: 1.923 kg CO2e



## Main Features

- / Only for combinations of CR/SR or ER/SR
- / Choice of colours
- / Fixing screws included
- / CIBSE TM65 Embodied Carbon: 1.923 kg CO2e

## Product Overview

The Excel Environ CR/ER-SR baying kit has been designed to enable the baying of the CR/ER Series to the SR Series of cabinets.

## Product Specifications

Feature	Values
Model	Fastening profile
Material	Metal

# Excel SR-ER/CR Baying Kit Grey/White

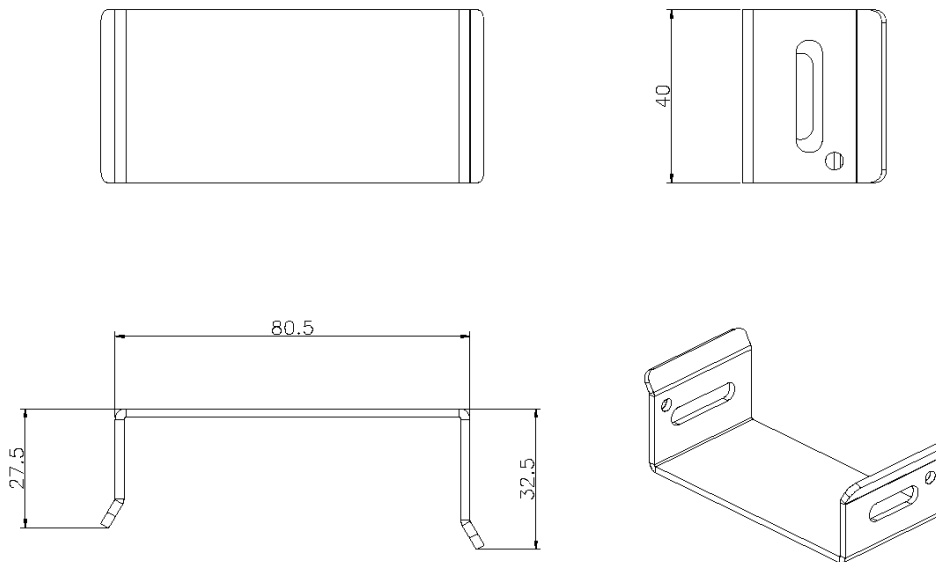
Part Code: 542-248-GW

sales@excel-networking.com  
excel-networking.com

Colour **Grey White**

RAL-number **9002**

## Product drawing



## Standards

Applicable standard	Detail
Directive 2011/65/EU (RoHS II)	Restriction of the Use of Certain Hazardous Substances in Electrical and Electronic Equipment — compliant. Applies within EU member states).
Directive (EU) 2015/863 (RoHS III)	Amending Directive 2011/65/EU to add four phthalates (DEHP, BBP, DBP, DIBP) to Annex II — compliant.
Directive 2008/98/EC (WFD)	Waste Framework Directive — compliant. Implemented in the UK through the Waste (England and Wales) Regulations 2011 (SI 2011 No. 988).

**Part Code: 542-248-GW**

[sales@excel-networking.com](mailto:sales@excel-networking.com)  
[excel-networking.com](http://excel-networking.com)

ECHA SCIP Database

Compliant; product does not contain SVHCs (Substances of Very High Concern) as defined under REACH Article 33(1). Submission obligations met under EU REACH and UK REACH.

Regulation (EU) 2019/1021 (POPs)

EU Regulation on Persistent Organic Pollutants — compliant. For Great Britain, compliance is aligned with the Persistent Organic Pollutants (Amendment) (EU Exit) Regulations 2020 (SI 2020 No. 1355).

UK SI 2012 No. 3032

The Restriction of the Use of Certain Hazardous Substances in Electrical and Electronic Equipment Regulations 2012 (UK RoHS) — compliant for Great Britain. Retained EU law, as amended by the Product Safety and Metrology (Amendment etc.) (EU Exit) Regulations 2019.

## Part Code Table

Part Code	Description
542-248-BK	<b>Excel SR-ER/CR Baying Kit Black</b>
542-248-GW	<b>Excel SR-ER/CR Baying Kit Grey/White</b>