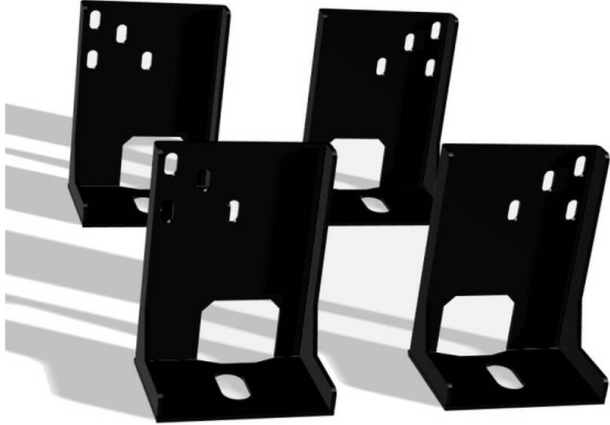


Excel ER/CR Anti-Tilt Bracket (Racks with Feet) Black (4-Pack)

Item Code: 542-508-BK

excel
without compromise.



For use with CR/ER range

Available in grey/black

Easy fixings

Fixings supplied

4 Individual corner brackets supplied

25 year warranty

Product Overview

This kit provides four brackets that can be used to secure the rack in place when installed with jacking feet fitted. This kit includes the required fixing screws and can be installed into pre-drilled holes in the rack.

Product Specifications

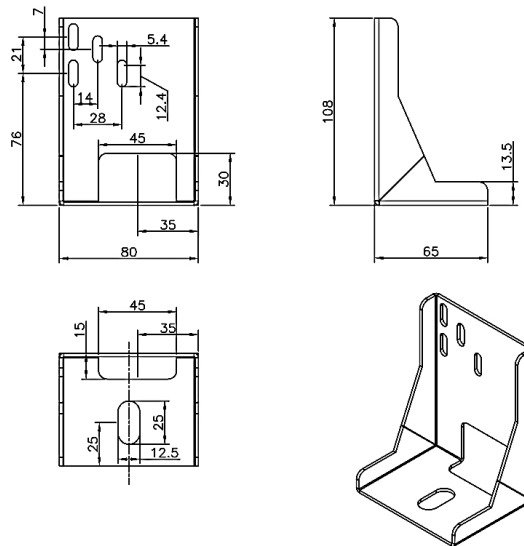
Feature	Values
Model	Base anti-tilt kit
Material	Steel
Colour	Black
Width	600 mm

Excel ER/CR Anti-Tilt Bracket (Racks with Feet) Black (4-Pack)

Item Code: 542-508-BK

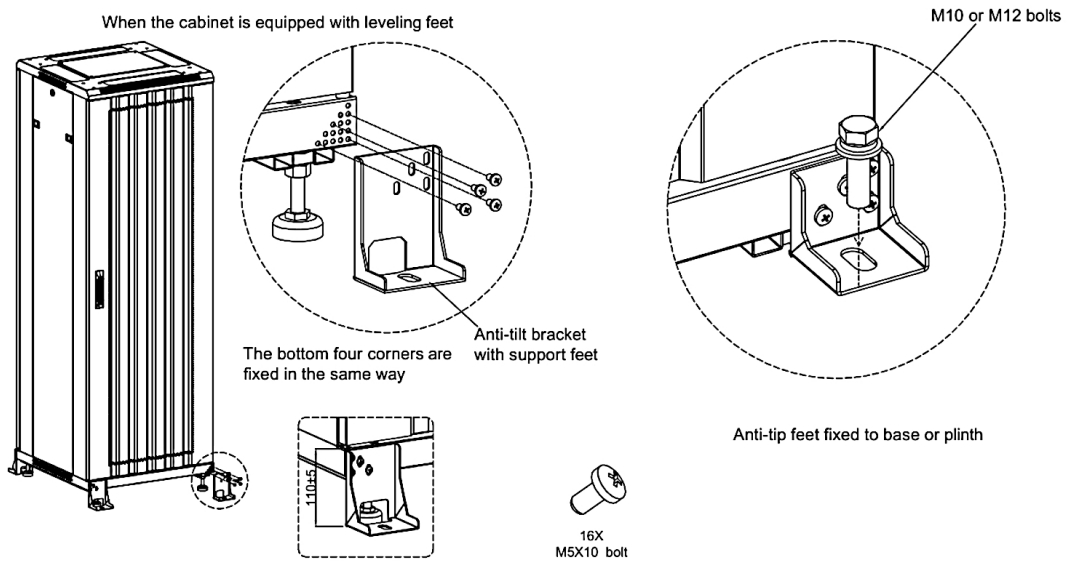


Product drawing



Anti-tilt bracket with support feet

Product drawings



Standards

Applicable standard	Detail
Directive 2011/65/EU (RoHS II)	Restriction of the Use of Certain Hazardous Substances in Electrical and Electronic Equipment — compliant. Applies within EU member states).
Directive (EU) 2015/863 (RoHS III)	Amending Directive 2011/65/EU to add four phthalates (DEHP, BBP, DBP, DIBP) to Annex II — compliant.

Excel ER/CR Anti-Tilt Bracket (Racks with Feet) Black (4-Pack)

Item Code: 542-508-BK



Directive 2008/98/EC (WFD)

Waste Framework Directive — compliant. Implemented in the UK through the Waste (England and Wales) Regulations 2011 (SI 2011 No. 988).

ECHA SCIP Database

Compliant; product does not contain SVHCs (Substances of Very High Concern) as defined under REACH Article 33(1). Submission obligations met under EU REACH and UK REACH.

Regulation (EU) 2019/1021 (POPs)

EU Regulation on Persistent Organic Pollutants — compliant. For Great Britain, compliance is aligned with the Persistent Organic Pollutants (Amendment) (EU Exit) Regulations 2020 (SI 2020 No. 1355).

UK SI 2012 No. 3032

The Restriction of the Use of Certain Hazardous Substances in Electrical and Electronic Equipment Regulations 2012 (UK RoHS) — compliant for Great Britain. Retained EU law, as amended by the Product Safety and Metrology (Amendment etc.) (EU Exit) Regulations 2019.

Part Number Table

Part Number	Description
542-508-BK	Excel ER/CR Anti-Tilt Bracket (Racks with Feet) Black (4-Pack)

Excel is a world class premium performing end to end infrastructure solution designed, Manufactured, supported and delivered without compromise.

Contact us at sales@excel-networking.com



E&OE. Excel is a registered trade name of Mayflex Holdings Ltd.