

Environ CR/ER 42U Vertical Brush Strip Management Black (1 Pair)



Part Code: 542-910-BK

sales@excel-networking.com
excel-networking.com



Main Features

/ For CR/ER 800w cabinets

/ Supplied in Pairs

/ Airflow management

Product Overview

Environ Vertical Brush style management, this item can be fitted in place of the standard vertical cable management that is supplied at the front in all CR/ER 800w floor standing cabinets.

Product Specifications

Feature	Values
Model	Vertical Brush Cable Management

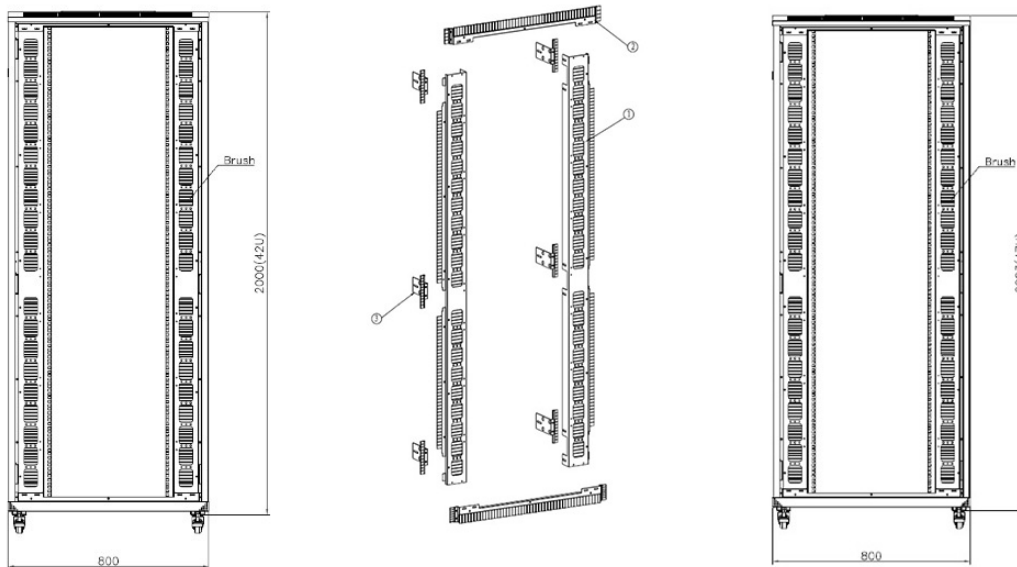
Environ CR/ER 42U Vertical Brush Strip Management Black (1 Pair)

Part Code: 542-910-BK

sales@excel-networking.com
excel-networking.com

Material	Metal
Suitable for 19 inch mounting	no
Width	85 mm

Product drawing



Standards

Applicable standard	Detail
Directive 2011/65/EU (RoHS II)	Restriction of the Use of Certain Hazardous Substances in Electrical and Electronic Equipment — compliant. Applies within EU member states).
Directive (EU) 2015/863 (RoHS III)	Amending Directive 2011/65/EU to add four phthalates (DEHP, BBP, DBP, DIBP) to Annex II — compliant.
Directive 2008/98/EC (WFD)	Waste Framework Directive — compliant. Implemented in the UK through the Waste (England and Wales) Regulations 2011 (SI 2011 No. 988).

Environ CR/ER 42U Vertical Brush Strip Management Black (1 Pair)

Part Code: 542-910-BK

sales@excel-networking.com
excel-networking.com

ECHA SCIP Database

Compliant; product does not contain SVHCs (Substances of Very High Concern) as defined under REACH Article 33(1). Submission obligations met under EU REACH and UK REACH.

Regulation (EU) 2019/1021 (POPs)

EU Regulation on Persistent Organic Pollutants — compliant. For Great Britain, compliance is aligned with the Persistent Organic Pollutants (Amendment) (EU Exit) Regulations 2020 (SI 2020 No. 1355).

UK SI 2012 No. 3032

The Restriction of the Use of Certain Hazardous Substances in Electrical and Electronic Equipment Regulations 2012 (UK RoHS) — compliant for Great Britain. Retained EU law, as amended by the Product Safety and Metrology (Amendment etc.) (EU Exit) Regulations 2019.

Part Code Table

Part Code	Description
542-910-BK	Environ CR/ER 42U Vertical Brush Strip Management Black (1 Pair)
542-911-BK	Environ 47U Vertical Brush Strip Management Black (1 Pair)