

Environ Plinth 600 mm Wide x 600 mm Deep for CR/ER Racks Black

Item Code: 542-966-BK



✕ Cable entry via blank plates on all sides

✕ Cable entry knockouts x 4

✕ Load Bearing

✕ Takes both Levelling Feet and Castors

✕ 25 years System Warranty

Product Overview

Available as an option to suit all sizes of Excel Environ Racks, the plinth increases the overall height by approximately 100mm and allows for easy cable access into the base.

The plinth is manufactured with removable sides to further aid access for cabling and levelling purposes.

Product Specifications

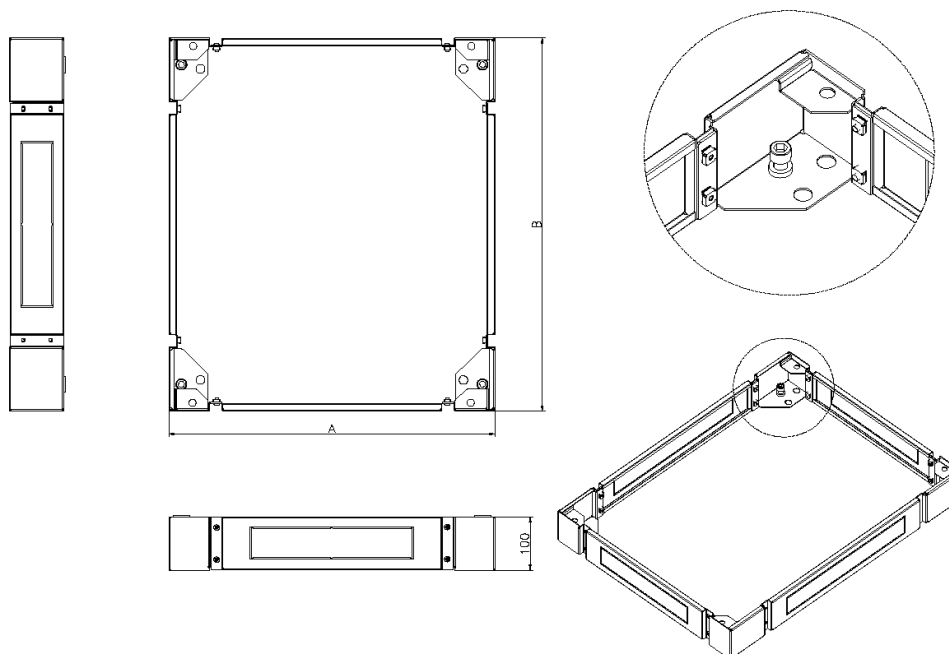
Feature	Values
Model	Complete base kit
Material	Steel
Colour	Black
Suitable for cable patch	yes
Width	600 mm
Height	100 mm
Depth	600 mm

Environ Plinth 600 mm Wide x 600 mm Deep for CR/ER Racks Black

Item Code: 542-966-BK

excel
without compromise.

Product drawing



Part Number Table

Part Number	Description
542-960-BK	Environ Plinth 600 mm Wide x 1000 mm Deep for CR/ER Racks Black
542-960-GE	Environ Plinth 600 mm Wide x 1000 mm Deep for CR/ER Racks Grey White
542-962-GE	Environ Plinth 600 mm Wide x 1200 mm Deep for CR/ER Racks Grey White
542-966-BK	Environ Plinth 600 mm Wide x 600 mm Deep for CR/ER Racks Black
542-966-GE	Environ Plinth 600 mm Wide x 600 mm Deep for CR/ER Racks Grey White
542-968-BK	Environ Plinth 600 mm Wide x 800 mm Deep for CR/ER Racks Black
542-968-GE	Environ Plinth 600 mm Wide x 800 mm Deep for CR/ER Racks Grey White
542-980-BK	Environ Plinth 800 mm Wide x 1000 mm Deep for CR/ER Racks Black
542-980-GE	Environ Plinth 800 mm Wide x 1000 mm Deep for CR/ER Racks Grey White
542-982-BK	Environ Plinth 800 mm Wide x 1200 mm Deep for CR/ER Racks Black
542-986-BK	Environ Plinth 800 mm Wide x 600 mm Deep for CR/ER Racks Black
542-986-GE	Environ Plinth 800 mm Wide x 600 mm Deep for CR/ER Racks Grey White
542-988-BK	Environ Plinth 800 mm Wide x 800 mm Deep for CR/ER Racks Black

Environ Plinth 600 mm Wide x 600 mm Deep for
CR/ER Racks Black

Item Code: 542-966-BK



542-988-GE

Environ Plinth 800 mm Wide x 800 mm Deep for CR/ER Racks Grey White

Excel is a world class premium performing end to end infrastructure solution designed,
Manufactured, supported and delivered without compromise.

Contact us at sales@excel-networking.com



E&OE. Excel is a registered trade name of Mayflex Holdings Ltd.