

# Excel Plinth 600 mm Wide x 800 mm Deep for CR/ER Racks Grey White

Part Code: 542-968-GE

sales@excel-networking.com  
excel-networking.com



## Main Features

- / Cable entry via blank plates on all sides
- / Cable entry knockouts x 4
- / Load Bearing
- / Takes both Levelling Feet and Castors
- / 25 years System Warranty

## Product Overview

Available as an option to suit all sizes of Excel Environ Racks, the plinth increases the overall height by approximately 100mm and allows for easy cable access into the base.

The plinth is manufactured with removable sides to further aid access for cabling and levelling purposes.

## Product Specifications

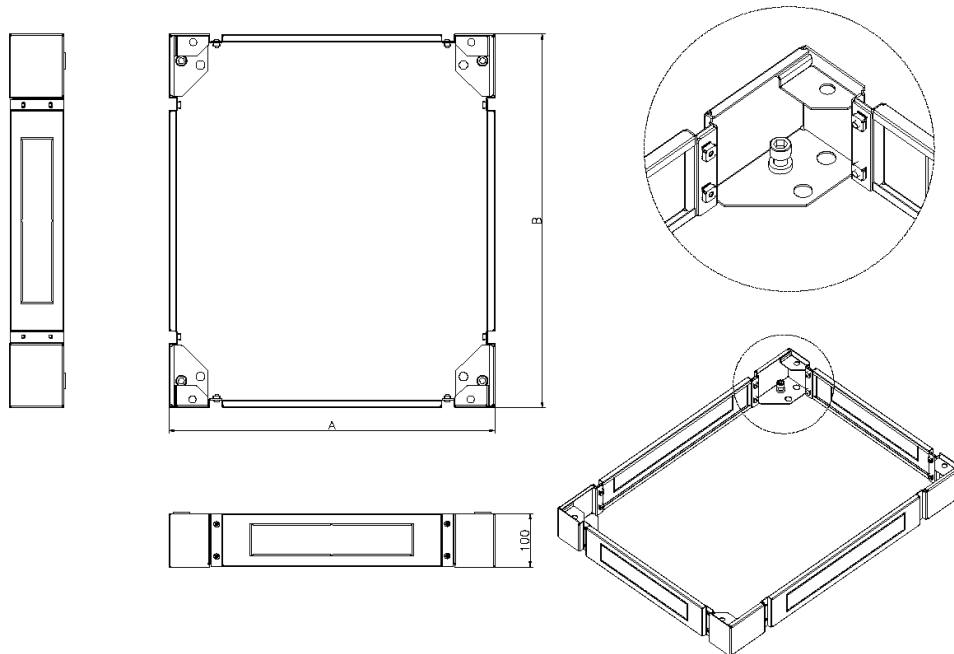
# Excel Plinth 600 mm Wide x 800 mm Deep for CR/ER Racks Grey White

Part Code: 542-968-GE

sales@excel-networking.com  
excel-networking.com

Feature	Values
Model	Complete base kit
Material	Steel
Colour	Grey White
Suitable for cable patch	yes
Width	600 mm
Height	100 mm
Depth	800 mm

## Product drawing



# Excel Plinth 600 mm Wide x 800 mm Deep for CR/ER Racks Grey White

Part Code: 542-968-GE

sales@excel-networking.com  
excel-networking.com

## Part Code Table

Part Code	Description
542-960-BK	Excel Plinth 600 mm Wide x 1000 mm Deep for CR/ER Racks Black
542-960-GE	Excel Plinth 600 mm Wide x 1000 mm Deep for CR/ER Racks Grey White
542-962-GE	Environ Plinth 600 mm Wide x 1200 mm Deep for CR/ER Racks Grey White
542-966-BK	Excel Plinth 600 mm Wide x 600 mm Deep for CR/ER Racks Black
542-966-GE	Excel Plinth 600 mm Wide x 600 mm Deep for CR/ER Racks Grey White
542-968-BK	Excel Plinth 600 mm Wide x 800 mm Deep for CR/ER Racks Black
542-968-GE	Excel Plinth 600 mm Wide x 800 mm Deep for CR/ER Racks Grey White
542-980-BK	Excel Plinth 800 mm Wide x 1000 mm Deep for CR/ER Racks Black
542-980-GE	Excel Plinth 800 mm Wide x 1000 mm Deep for CR/ER Racks Grey White
542-982-BK	Environ Plinth 800 mm Wide x 1200 mm Deep for CR/ER Racks Black
542-986-BK	Excel Plinth 800 mm Wide x 600 mm Deep for CR/ER Racks Black
542-986-GE	Excel Plinth 800 mm Wide x 600 mm Deep for CR/ER Racks Grey White
542-988-BK	Excel Plinth 800 mm Wide x 800 mm Deep for CR/ER Racks Black
542-988-GE	Excel Plinth 800 mm Wide x 800 mm Deep for CR/ER Racks Grey White