

Excel SR 800 mm Wide Anti-Tilt Kit Grey White

Part Code: 544-508-GE

sales@excel-networking.com
excel-networking.com



Main Features

- / For use with SR range
- / Easy fixing
- / Single plate supplied
- / Available in Grey White and Black
- / Fixings supplied
- / 25 Year system warranty

Product Overview

The SR Anti-tilt Kit provides a greater stability to the SR racks.

The Anti-tilt Kit is fitted with the jacking feet in place.

Product Specifications

Feature	Values
---------	--------

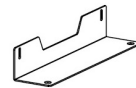
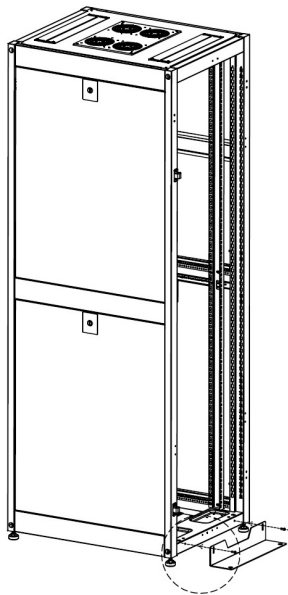
Excel SR 800 mm Wide Anti-Tilt Kit Grey White

Part Code: 544-508-GE

sales@excel-networking.com
excel-networking.com

Model	Base anti-tilt kit
Material	Steel
Colour	Grey
Width	800 mm

Product drawing



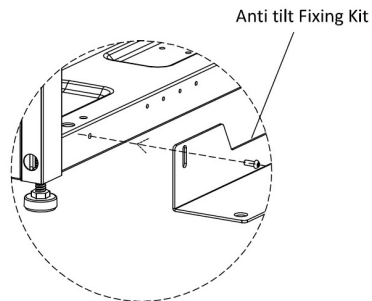
Anti tilt Fixing Kit

1X



M6X12
Screws

2X

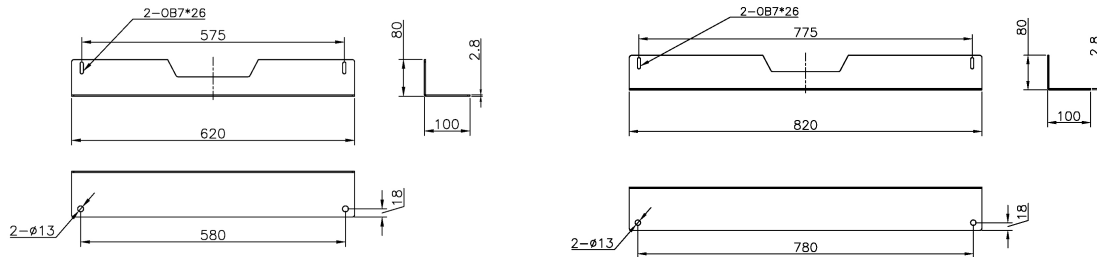


Excel SR 800 mm Wide Anti-Tilt Kit Grey White

Part Code: 544-508-GE

sales@excel-networking.com
excel-networking.com

Product drawings



Part Code Table

Part Code	Description
544-506-BK	Excel SR 600 mm Wide Anti-Tilt Kit Black
544-506-GE	Excel SR 600 mm Wide Anti-Tilt Kit Grey White
544-508-BK	Excel SR 800 mm Wide Anti-Tilt Kit Black
544-508-GE	Excel SR 800 mm Wide Anti-Tilt Kit Grey White