

Environ CL800 47U Co-Location Rack 800x1000mm (2 Compartments) Vented (F) Vented (R) B/Panels B...

Part Code: 545-4781-2C-VVBM-GW

sales@excel-networking.com
excel-networking.com



Main Features

- / Choice of 2 or 4 compartments
- / Heavy duty lockable casters included
- / Top and Bottom cable entry to each compartment
- / Jacking feet included
- / 19" profiles marked with U height position
- / Cable entry secure to each compartment

Product Overview

The Environ CL series of multicompartment floor standing racks are designed for co-location installations and applications that require enhanced levels of access security. The range is based on the proven and popular ER series chassis and is available in a 42U or 47U heights, 600mm or 800mm wide, grey white or black and a choice of 2 or 4 compartments. Each compartment is created by the use of a full depth dividing panel which runs from front to rear of the rack providing both separation and a mounting shelf if so desired. Within each compartment are front and rear adjustable equipment mounting rails. As standard front and rear doors are vented mesh and each are fitted with swing handles fitted with both a key and 3 digit combination lock. The entire range of Environ locking solutions is compatible with the CL series enabling customers to choose from digital key code...

Environ CL800 47U Co-Location Rack 800x1000mm (2 Compartments) Vented (F) Vented (R) B/Panels B...

Part Code: 545-4781-2C-VVBM-GW

sales@excel-networking.com
excel-networking.com

Product Specifications

Feature	Values
Mounting Profile	Front and rear
Type of profile rail	L-shaped
Number of doors	4
Type of ventilation	Passive
Width	800 mm
Height	2230 mm
Depth	1000 mm
Modular spacing	19 inch
Number of rack units (RU)	47
Max. load capacity	600 kg
With roof plate	yes
With earthing	yes
With front door	yes
Front door material	Steel
Front door locking system	One point
With rear door	yes
Rear door material	Steel
Rear door locking system	One point
Side panels included	yes
With vertical cable management	yes
Material	Steel
Type of surface	Powder coated

Environ CL800 47U Co-Location Rack 800x1000mm (2 Compartments) Vented (F) Vented (R) B/Panels B...

Part Code: 545-4781-2C-VVBM-GW

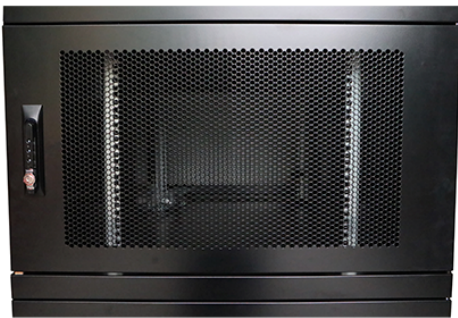
sales@excel-networking.com
excel-networking.com

Colour	Grey White
RAL-number	9002
Flat-packed	no
IP-rating	IP20
Application	Co-Location Rack

Additional specifications

Features	Values
Material	SPCC Cold Rolled Steel
19" Rails	2.0 mm thick
Side Panels	1.0 mm thick
Other	1.2 mm thick
Front door	Swing handle cam lock with combination lock
Rear door	Swing handle cam lock with combination lock
Side panels lock	Single point barrel lock
Jacking feet additional height	50-80 mm
Castors additional height	70 mm

Product images



Mesh compartment doors



Removable side panels



Key and 3-digit combination locks



Inner door lock



Vertical cable management



U height profile markings

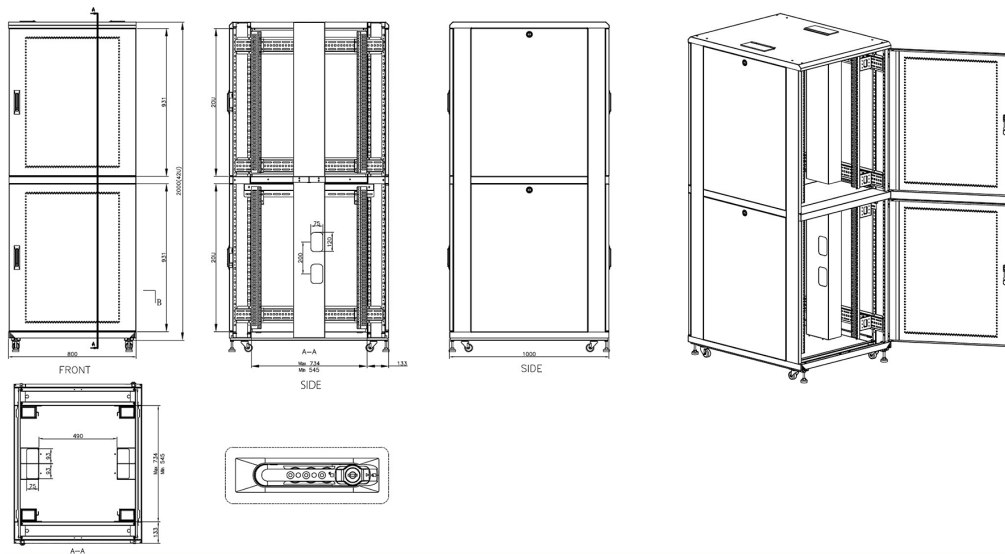
Environ CL800 47U Co-Location Rack 800x1000mm (2 Compartments) Vented (F) Vented (R) B/Panels B...

Part Code: 545-4781-2C-VVBM-GW

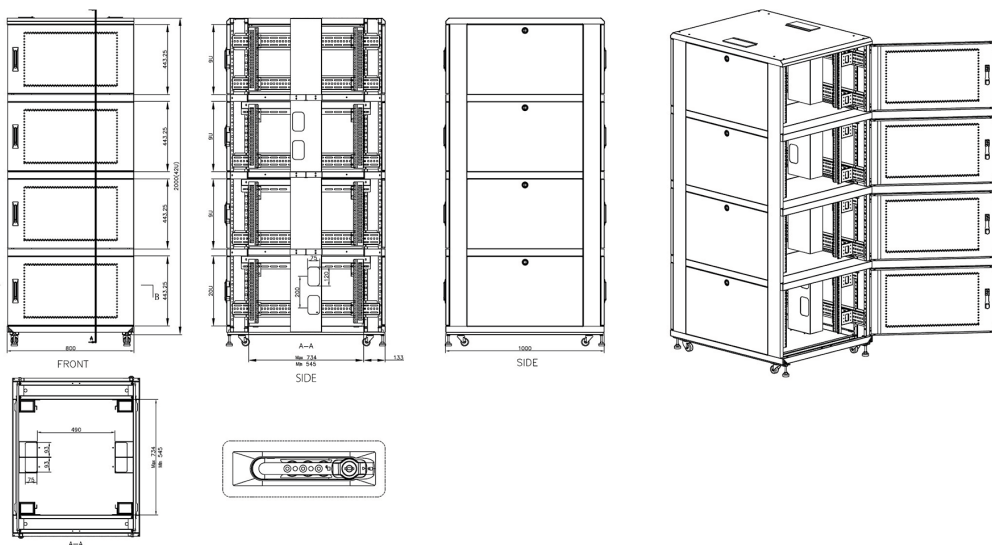
sales@excel-networking.com
excel-networking.com

Product drawings

Environ CL800 Rack 2 Compartment Elevation Views



Environ CL800 Rack 4 Compartment Elevation Views



Environ CL800 47U Co-Location Rack 800x1000mm (2 Compartments) Vented (F) Vented (R) B/Panels B...

Part Code: 545-4781-2C-VVBM-GW

sales@excel-networking.com
excel-networking.com

Standards

Standard	Detail
ANSI/EIA-310-E	Electronic Industries Association standard for horizontal spacing, vertical hole spacing, rack opening and front panel width
BS EN 60297-3-100:2009	Mechanical structures for electronic equipment. Dimensions of mechanical structures of the 482,6 mm (19 in) series. Basic dimensions of front panels, subracks, chassis, racks and cabinets
DIN 41494 Part 1 & 7	Panel Mounting Racks For Electronics Equipments; Racks And Panels, Dimensions; Dimensions of cabinets and suites of racks
Directive 2011/65/EU (RoHS II)	Restriction of the Use of Certain Hazardous Substances in Electrical and Electronic Equipment — compliant. Applies within EU member states).
Directive (EU) 2015/863 (RoHS III)	Amending Directive 2011/65/EU to add four phthalates (DEHP, BBP, DBP, DIBP) to Annex II — compliant.
Directive 2008/98/EC (WFD)	Waste Framework Directive — compliant. Implemented in the UK through the Waste (England and Wales) Regulations 2011 (SI 2011 No. 988).
ECHA SCIP Database	Compliant; product does not contain SVHCs (Substances of Very High Concern) as defined under REACH Article 33(1). Submission obligations met under EU REACH and UK REACH.
Regulation (EU) 2019/1021 (POPs)	EU Regulation on Persistent Organic Pollutants — compliant. For Great Britain, compliance is aligned with the Persistent Organic Pollutants (Amendment) (EU Exit) Regulations 2020 (SI 2020 No. 1355).
UK SI 2012 No. 3032	The Restriction of the Use of Certain Hazardous Substances in Electrical and Electronic Equipment Regulations 2012 (UK RoHS) — compliant for Great Britain. Retained EU law, as amended by the Product Safety and Metrology (Amendment etc.) (EU Exit) Regulations 2019.

Environ CL800 47U Co-Location Rack 800x1000mm (2 Compartments) Vented (F) Vented (R) B/Panels B...

Part Code: 545-4781-2C-VVBM-GW

sales@excel-networking.com
excel-networking.com

Part Code Table

Part Code	Description
545-4281-2C-WBMB-K	Environ CL800 42U Co-Location Rack 800x1000mm (2 Compartments) Vented (F) Vented (R) B/Panels B/Central-Mgmt Black
545-4281-2C-WBMB-K-FP	Environ CL800 42U Co-Location Rack 800x1000mm (2 Compartments) Vented (F) Vented (R) B/Panels B/Central-Mgmt Black Flat Pack
545-4281-2C-WBMB-GW	Environ CL800 42U Co-Location Rack 800x1000mm (2 Compartments) Vented (F) Vented (R) B/Panels B/Central-Mgmt Grey White
545-4281-2C-WBMB-GW-FP	Environ CL800 42U Co-Location Rack 800x1000mm (2 Compartments) Vented (F) Vented (R) B/Panels B/Central-Mgmt Grey White Flat Pack
545-4281-4C-WBMB-K	Environ CL800 42U Co-Location Rack 800x1000mm (4 Compartments) Vented (F) Vented (R) B/Panels B/Central-Mgmt Black
545-4281-4C-WBMB-K-FP	Environ CL800 42U Co-Location Rack 800x1000mm (4 Compartments) Vented (F) Vented (R) B/Panels B/Central-Mgmt Black Flat Pack
545-4281-4C-WBMB-GW	Environ CL800 42U Co-Location Rack 800x1000mm (4 Compartments) Vented (F) Vented (R) B/Panels B/Central-Mgmt Grey White
545-4281-4C-WBMB-GW-FP	Environ CL800 42U Co-Location Rack 800x1000mm (4 Compartments) Vented (F) Vented (R) B/Panels B/Central-Mgmt Grey White Flat Pack
545-4781-2C-WBMB-K	Environ CL800 47U Co-Location Rack 800x1000mm (2 Compartments) Vented (F) Vented (R) B/Panels B/Central-Mgmt Black
545-4781-2C-WBMB-K-FP	Environ CL800 47U Co-Location Rack 800x1000mm (2 Compartments) Vented (F) Vented (R) B/Panels B/Central-Mgmt Black Flat Pack
545-4781-2C-WBMB-GW	Environ CL800 47U Co-Location Rack 800x1000mm (2 Compartments) Vented (F) Vented (R) B/Panels B/Central-Mgmt Grey White
545-4781-2C-WBMB-GW-FP	Environ CL800 47U Co-Location Rack 800x1000mm (2 Compartments) Vented (F) Vented (R) B/Panels B/Central-Mgmt Grey White Flat Pack
545-4781-4C-WBMB-K	Environ CL800 47U Co-Location Rack 800x1000mm (4 Compartments) Vented (F) Vented (R) B/Panels B/Central-Mgmt Black
545-4781-4C-WBMB-K-FP	Environ CL800 47U Co-Location Rack 800x1000mm (4 Compartments) Vented (F) Vented (R) B/Panels B/Central-Mgmt Black Flat Pack

Environ CL800 47U Co-Location Rack 800x1000mm (2
Compartments) Vented (F) Vented (R) B/Panels B...

Part Code: 545-4781-2C-VVBM-GW

sales@excel-networking.com
excel-networking.com

545-4781-4C-VVBM-GW

**Environ CL800 47U Co-Location Rack 800x1000mm (4 Compartments) Vented
(F) Vented (R) B/Panels B/Central-Mgmt Grey White**

545-4781-4C-VVBM-GW-FP

**Environ CL800 47U Co-Location Rack 800x1000mm (4 Compartments) Vented
(F) Vented (R) B/Panels B/Central-Mgmt Grey White Flat Pack**