

# DC Rack Southco Lock Kit 2 Handles to Intelligent PDU

Part Code: 546-SCO-KT4

sales@excel-networking.com  
excel-networking.com



## Main Features

- / Complete electronic handle kit
- / Supports most RFID card types 2K and 4K
- / Alternative to issuing keys for entry
- / Handles, actuators and wiring looms
- / Only suitable for DCR racks
- / Cannot be fitted to CR and WR series steel doors

## Product Overview

These upgrade kits are available to enable an easy upgrade option to electronic handles on the DC range of racks. The kits include handles, actuators to connect to door rods, harness cables and adaptors. Kits KT1 and KT2 also come with the Southco Interconnect Box, KT3 and KT4 come with adaptors to use with an excel Intelligent PDU, INT1, INT2, INT3 or INT4.

The kits use the Southco H3-EM-66 handle which support RFID reader cards providing an easy access control solution for the Data Centre Racks. Kits can be used for Front or Rear doors, on rear doors re-fit the door cam fitted on the original lock.

# DC Rack Southco Lock Kit 2 Handles to Intelligent PDU

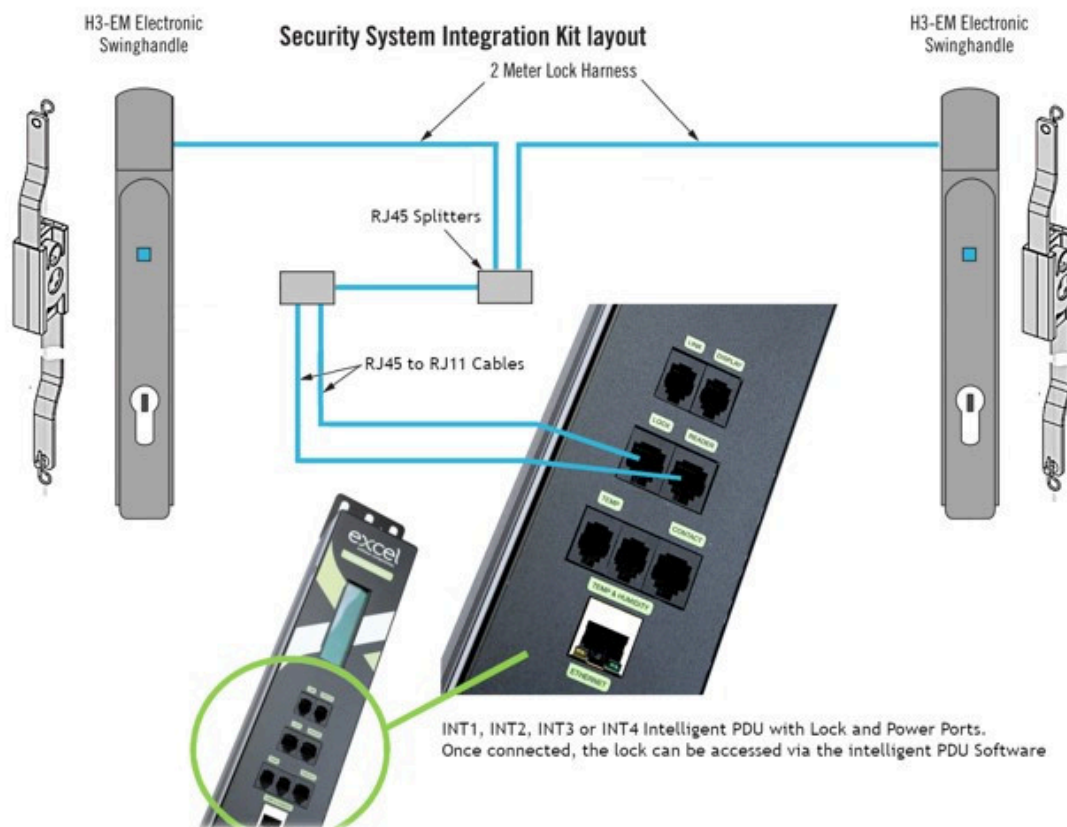
**Part Code: 546-SCO-KT4**

sales@excel-networking.com  
excel-networking.com

## Product Specifications

Feature	Values
Type of handle	Door handle
Padlock	no
Espagnolette locking (3-point locking)	yes
Type of closure	Card lock

### Product drawing



# DC Rack Southco Lock Kit 2 Handles to Intelligent PDU

Part Code: 546-SCO-KT4

sales@excel-networking.com  
excel-networking.com

## Standards

Applicable standard	Detail
Directive 2011/65/EU (RoHS II)	Restriction of the Use of Certain Hazardous Substances in Electrical and Electronic Equipment — compliant. Applies within EU member states).
Directive (EU) 2015/863 (RoHS III)	Amending Directive 2011/65/EU to add four phthalates (DEHP, BBP, DBP, DIBP) to Annex II — compliant.
POPs (EU) No 2019/1021	EU Regulation for the restriction of Persistent Organic
Directive 2008/98/EC (WFD)	Waste Framework Directive — compliant. Implemented in the UK through the Waste (England and Wales) Regulations 2011 (SI 2011 No. 988).
ECHA SCIP Database	Compliant; product does not contain SVHCs (Substances of Very High Concern) as defined under REACH Article 33(1). Submission obligations met under EU REACH and UK REACH.
Regulation (EU) 2019/1021 (POPs)	EU Regulation on Persistent Organic Pollutants — compliant. For Great Britain, compliance is aligned with the Persistent Organic Pollutants (Amendment) (EU Exit) Regulations 2020 (SI 2020 No. 1355).
UK SI 2012 No. 3032	The Restriction of the Use of Certain Hazardous Substances in Electrical and Electronic Equipment Regulations 2012 (UK RoHS) — compliant for Great Britain. Retained EU law, as amended by the Product Safety and Metrology (Amendment etc.) (EU Exit) Regulations 2019.

## Part Code Table

Part Code	Description
546-SCO-KT3	DC Rack Southco Lock Kit 1 Handle to Intelligent PDU
546-SCO-KT4	DC Rack Southco Lock Kit 2 Handles to Intelligent PDU

# DC Rack Southco Lock Kit 2 Handles to Intelligent PDU



Part Code: 546-SCO-KT4

sales@excel-networking.com  
excel-networking.com

546-SCO-KT8

DC Rack Southco Lock Kit Euro Unloaded 2 Handles to Intelligent PDU

