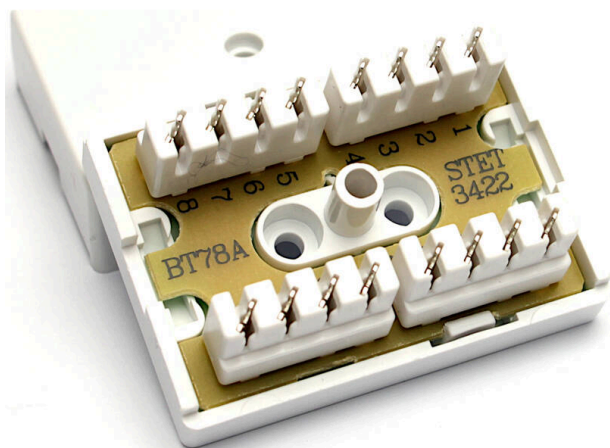


Excel 4 Pair In Line Connection Box Type 78A

Item Code: 550-266

excel
without compromise.



Available in 3-pair/4-pair

Quick and easy to install

White finish

Type 77A & 78A available

25 Year system warranty

Product Overview

In Line Connection Boxes are used for connecting telephone extensions and for joining together different cable types. The Type 77A will connect up to 3 pairs and the Type 78A up to 4 pairs, each mount via 2 fixing screws.

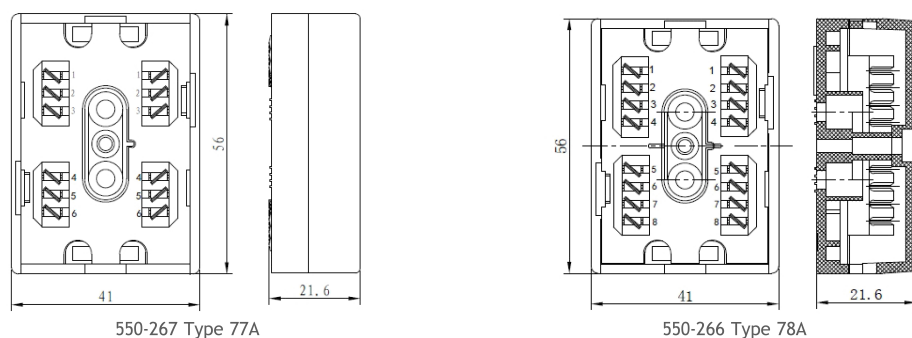
Product Specifications

Feature	Values
Number of connection points	8
Length	41 mm
Width	56 mm
Depth	23 mm
Mounting method	Surface mounted
Type of inlet	Cable
Material	Plastic
Colour	White
With cover	yes
Cover attachment	Screwed

Additional specifications

Features	Values
IDC	Silver Plated (0.5 – 5 µm) Phosphor Bronze
IDC Pull Out Force	≥ 25N (axial), ≥ 7.5N (radial)
IDC Life	0.4 – 0.64 mm Ø (AWG22 – 26)
Wire Diameter Range	≥ 200 times
Atmospheric pressure	70 kPa to 106 kPa
Insulation resistance	≥1000MΩ
Contact resistance	≤5 mΩ
Dielectric resistance	1200V DC 60s no spark
Storage temperature	-30°C to +80°C
Operating temperature	-20°C to +70°C
Relative humidity	≤ 90% (at 20°C)

Product drawing



Standards

Applicable standard	Detail
Directive 2011/65/EU (RoHS II)	Restriction of the Use of Certain Hazardous Substances in Electrical and Electronic Equipment — compliant. Applies within EU member states).
Directive (EU) 2015/863 (RoHS III)	Amending Directive 2011/65/EU to add four phthalates (DEHP, BBP, DBP, DIBP) to Annex II — compliant.
Directive 2008/98/EC (WFD)	Waste Framework Directive — compliant. Implemented in the UK through the Waste (England and Wales)

Excel 4 Pair In Line Connection Box Type 78A

Item Code: 550-266



Regulations 2011 (SI 2011 No. 988).

ECHA SCIP Database

Compliant; product does not contain SVHCs (Substances of Very High Concern) as defined under REACH Article 33(1). Submission obligations met under EU REACH and UK REACH.

Regulation (EU) 2019/1021 (POPs)

EU Regulation on Persistent Organic Pollutants — compliant. For Great Britain, compliance is aligned with the Persistent Organic Pollutants (Amendment) (EU Exit) Regulations 2020 (SI 2020 No. 1355).

UK SI 2012 No. 3032

The Restriction of the Use of Certain Hazardous Substances in Electrical and Electronic Equipment Regulations 2012 (UK RoHS) — compliant for Great Britain. Retained EU law, as amended by the Product Safety and Metrology (Amendment etc.) (EU Exit) Regulations 2019.

Part Number Table

Part Number	Description
550-266	Excel 4 Pair In Line Connection Box Type 78A
550-267	Excel 3 Pair In Line Connection Box Type 77A

Excel is a world class premium performing end to end infrastructure solution designed, Manufactured, supported and delivered without compromise.

Contact us at sales@excel-networking.com



E&OE. Excel is a registered trade name of Mayflex Holdings Ltd.