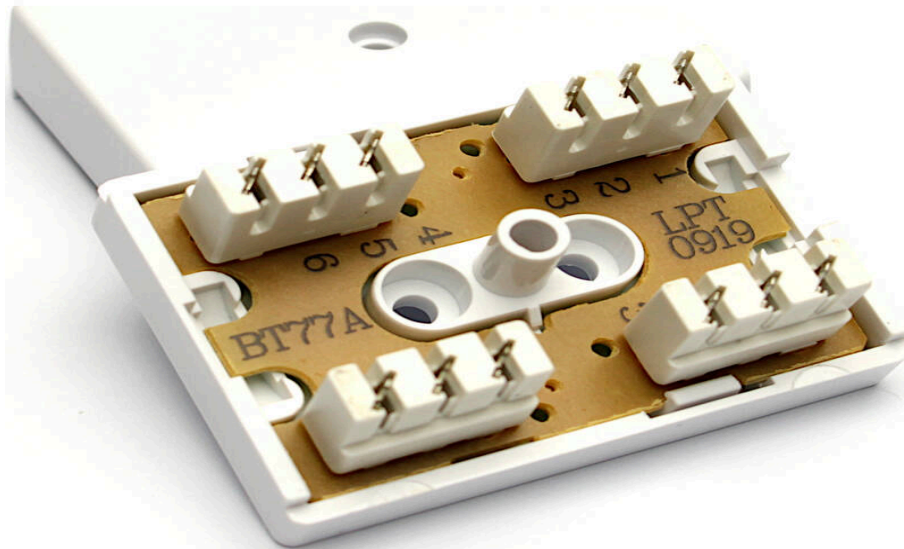


Excel 3 Pair In Line Connection Box Type 77A

Part Code: 550-267

sales@excel-networking.com
excel-networking.com



Main Features

- / Available in 3-pair/4-pair
- / White finish
- / 25 Year system warranty
- / Quick and easy to install
- / Type 77A & 78A available

Product Overview

In Line Connection Boxes are used for connecting telephone extensions and for joining together different cable types. The Type 77A will connect up to 3 pairs and the Type 78A up to 4 pairs, each mount via 2 fixing screws.

Product Specifications

| Feature | Values |
|---------|--------|
|---------|--------|

Excel 3 Pair In Line Connection Box Type 77A

Part Code: 550-267

sales@excel-networking.com
excel-networking.com

| | |
|-----------------------------|-----------------|
| Number of connection points | 6 |
| Length | 23 mm |
| Width | 56 mm |
| Depth | 41 mm |
| Mounting method | Surface mounted |
| Type of inlet | Cable |
| Material | Plastic |
| Colour | White |
| With cover | yes |
| Cover attachment | Screwed |

Additional specifications

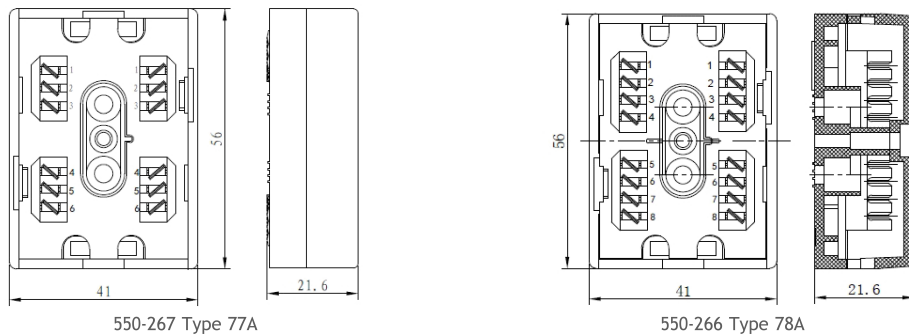
| Features | Values |
|-----------------------|--------------------------------------------|
| IDC | Silver Plated (0.5 – 5 µm) Phosphor Bronze |
| IDC Pull Out Force | ≥ 25N (axial), ≥ 7.5N (radial) |
| IDC Life | 0.4 – 0.64 mm Ø (AWG22 – 26) |
| Wire Diameter Range | ≥ 200 times |
| Atmospheric pressure | 70 kPa to 106 kPa |
| Insulation resistance | ≥ 1000MΩ |
| Contact resistance | ≤ 5 mΩ |
| Dielectric resistance | 1200V DC 60s no spark |
| Storage temperature | -30°C to +80°C |
| Operating temperature | -20°C to +70°C |
| Relative humidity | ≤ 90% (at 20°C) |

Excel 3 Pair In Line Connection Box Type 77A

Part Code: 550-267

sales@excel-networking.com
excel-networking.com

Product drawing



Standards

| Applicable standard | Detail |
|------------------------------------|--------------------------------------------------------------------------------------------------------------------------------------------------------------------------------------------------------------------------------------------------------|
| Directive 2011/65/EU (RoHS II) | Restriction of the Use of Certain Hazardous Substances in Electrical and Electronic Equipment — compliant. Applies within EU member states). |
| Directive (EU) 2015/863 (RoHS III) | Amending Directive 2011/65/EU to add four phthalates (DEHP, BBP, DBP, DIBP) to Annex II — compliant. |
| Directive 2008/98/EC (WFD) | Waste Framework Directive — compliant. Implemented in the UK through the Waste (England and Wales) Regulations 2011 (SI 2011 No. 988). |
| ECHA SCIP Database | Compliant; product does not contain SVHCs (Substances of Very High Concern) as defined under REACH Article 33(1). Submission obligations met under EU REACH and UK REACH. |
| Regulation (EU) 2019/1021 (POPs) | EU Regulation on Persistent Organic Pollutants — compliant. For Great Britain, compliance is aligned with the Persistent Organic Pollutants (Amendment) (EU Exit) Regulations 2020 (SI 2020 No. 1355). |
| UK SI 2012 No. 3032 | The Restriction of the Use of Certain Hazardous Substances in Electrical and Electronic Equipment Regulations 2012 (UK RoHS) — compliant for Great Britain. Retained EU law, as amended by the Product Safety and Metrology (Amendment etc.) (EU Exit) |

Excel 3 Pair In Line Connection Box Type 77A



Part Code: 550-267

sales@excel-networking.com
excel-networking.com

Regulations 2019.

Part Code Table

| Part Code | Description |
|-----------|----------------------------------------------|
| 550-266 | Excel 4 Pair In Line Connection Box Type 78A |
| 550-267 | Excel 3 Pair In Line Connection Box Type 77A |