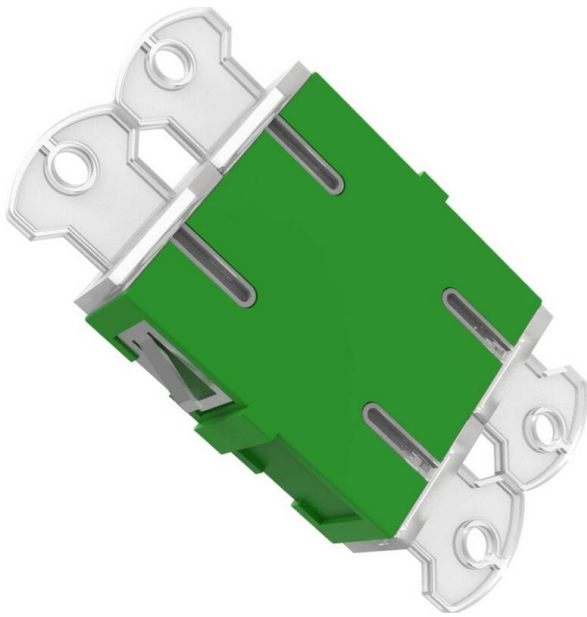


Excel Enbeam SC APC Duplex OS2 Singlemode Flangeless Adaptor Green

Item Code: 906-000

excel
without compromise.



✕ 25 year system warranty

✕ Dust caps included

✕ SC and LC versions

✕ Plastic free packaging

Product Overview

Excel Enbeam fibre optic adaptors have been designed to present a range of optic fibre connectors. The adaptors are constructed to allow fitting in the bulkheads without screws. The housings are manufactured from a range of plastics and metals selected to provide the optimum performance.

Product Specifications

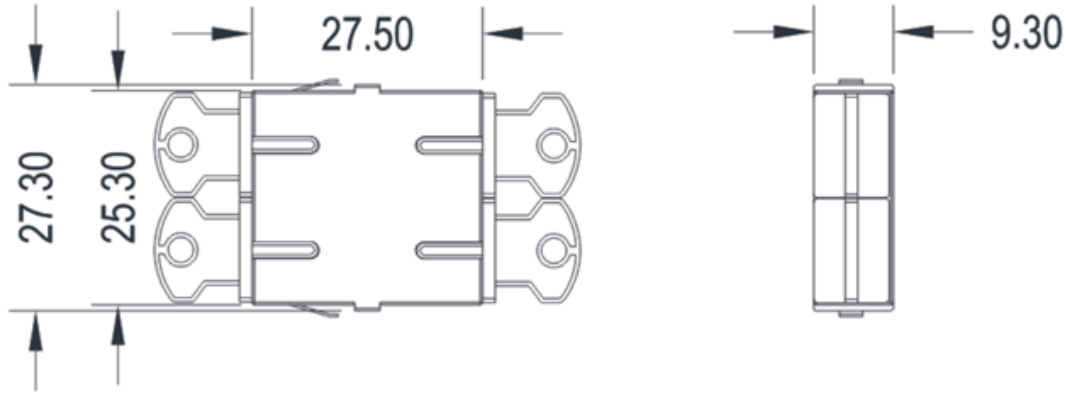
Feature	Values
Suitable for type of fibre	Single mode
Type of connector connection 1	SC duplex
Material housing	Plastic
APC-type	yes

Excel Enbeam SC APC Duplex OS2 Singlemode Flangeless Adaptor Green

Item Code: 906-000



Product drawing



Additional specifications

Features	Values
Insertion Loss	<0.10 dB
Durability	500 matings
Coupling Tensile	100 N
Operating Temperature	-40°C-85°C
Storage Temperature	-40°C-85°C
Durability IEC 61300-2-2	IL change less than 0.2 dB
Vibration IEC 61300-2-1	IL change less than 0.2 dB
Tensile IEC 61300-2-4	IL change less than 0.2 dB
Temperature change IEC 61300-2-22	IL change less than 0.2 dB

Standards

Applicable standard	Detail
IEC 61300-2-22	Fibre optic interconnecting devices and passive components - Basic test and measurement procedures Change of temperature
IEC 61300-3-4:2012	Fibre optic interconnecting devices and passive components - Basic test and measurement procedures

Excel Enbeam SC APC Duplex OS2 Singlemode Flangeless Adaptor Green

Item Code: 906-000



	Attenuation
IEC 61300-2-2	Fibre optic interconnecting devices and passive components - Basic test and measurement procedures Mating durability
IEC 61754-20:2012	Fibre optic interconnecting devices and passive components - Fibre optic connector interfaces - Part 20: Type LC connector family
RoHS-II/III (2011/65/EU & 2015/863): 2023	Our products, demonstrate full adherence to the regulatory stipulations of the EU Directive 2011/65/EU (RoHS-II) and its corresponding delegated directive 2015/863 (RoHS-III).
WFD: 2023	Compliant to Waste Framework Directive
SCIP: 2023	Compliant - Does Not Contain Substances of Concern In articles as such or in complex objects (Products)
POPs (EU) No 2019/1021	EU Regulation for the restriction of Persistent Organic Pollutants.

Part Number Table

Part Number	Description
906-000	Excel Enbeam SC APC Duplex OS2 Singlemode Flangeless Adaptor Green

Excel is a world class premium performing end to end infrastructure solution designed, Manufactured, supported and delivered without compromise.

Contact us at sales@excel-networking.com



E&OE. Excel is a registered trade name of Mayflex Holdings Ltd.