

Excel 5 Way Horizontal PDU 5x UK Socket Passive 13A UK Plug Switched

Part Code: D13-5H-EXL

sales@excel-networking.com
excel-networking.com

CIBSE TM65 Embodied Carbon: 9.875 kg CO2e



Main Features

- / Comprehensive choice of sockets
- / Choice of mounting options
- / LED indicator to confirm power to the unit
- / Standard 3m PVC power lead with 13 Amp BS 1363 UK plug
- / Fully shrouded switch
- / CIBSE TM65 Embodied Carbon: 9.875 kg CO2e

Product Overview

The Excel range of power distribution units are designed for installation and use within 19" networking cabinets and enclosures. Each unit comprises a high quality aluminium extruded housing into which are loaded up to 12 sockets.

In this particular range each socket is UK style, manufactured in accordance with the BS1363 standard, the 3 metre input lead is terminated with a 13Amp rated 3 pin BS1363 plug top. The sockets are mounted at a 45° angle on the vertical PDUs and a 90° angle on the horizontal PDUs to aid with cable management.

The range of available units includes 19" horizontally mounted, and higher density vertical mounted options, each unit contains a fully shrouded switch to control input power, and a LED indicator to confirm power to the unit.

Excel 5 Way Horizontal PDU 5x UK Socket Passive 13A UK Plug Switched

Part Code: D13-5H-EXL

sales@excel-networking.com
excel-networking.com

Product Specifications

Feature	Values
Mounting dimension	19 inch
Mounting direction	Horizontal
Electrical connection	Connecting cord with plug
Type of electric plug connection	British Standard (BS1363)
Cable length	3 m
Number of UK BS1363 sockets	5
Number of rack units (RU)	1
Width	482.6 mm
Height	45 mm
Depth	45 mm
Supply voltage	230 V
Surge Protected	no
Switchable	yes
With LED indication	yes
With fuse	yes
With mounting bracket	yes

Additional specifications

Features	Values
Input cable type	3 core 1.5mm cable
PDU Input cable connector	N/A

Excel 5 Way Horizontal PDU 5x UK Socket Passive 13A UK Plug Switched

Part Code: D13-5H-EXL

sales@excel-networking.com
excel-networking.com

Rated Voltage	250 V AC 50/60 Hz
Rated current	13 A
Maximum power	3250 W
Unit control	LED indicator. On/off rocker switch
Insulation Resistance	≥5MΩ
Fire resistance	Flame retardant
Operating temperature	-10°C to +45°C
Relative humidity	0% to 90%
Cable entry (horizontal orientation)	Left
Cable entry (vertical orientation)	Top
Socket angle (horizontal orientation)	90°
Socket angle (vertical orientation)	45°
Master Circuit Breaker	NO
Master Switch	Yes
Housing colour	Silver
Housing material	Aluminum

Included accessories

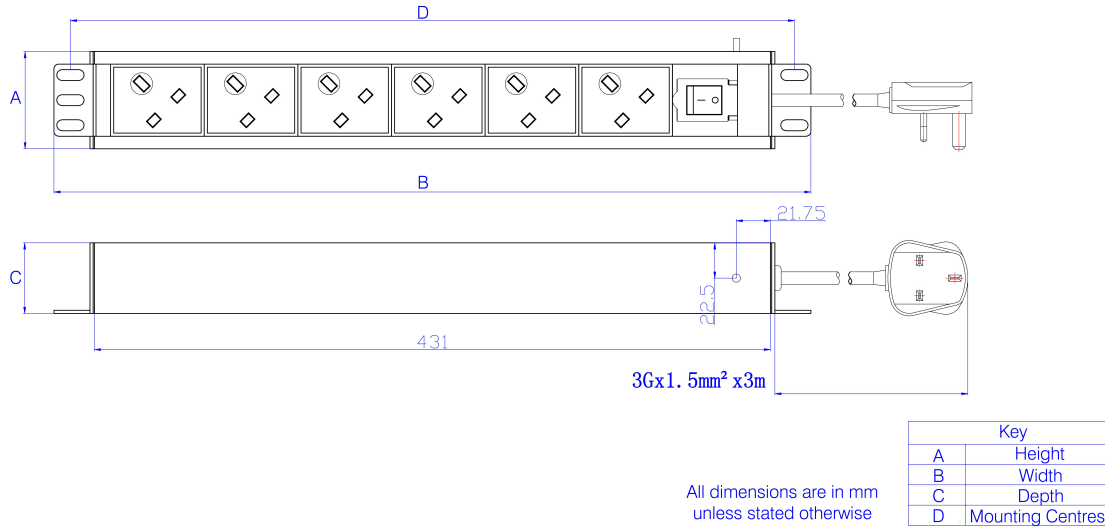
Accessories	Quantity
M6 x 4 fixings	x4
user manual	x1
6mm earth cable	x1

Excel 5 Way Horizontal PDU 5x UK Socket Passive 13A UK Plug Switched

Part Code: D13-5H-EXL

sales@excel-networking.com
excel-networking.com

Product drawing



Standards

Applicable standard	Detail
Directive 2011/65/EU (RoHS II)	Restriction of the Use of Certain Hazardous Substances in Electrical and Electronic Equipment — compliant. Applies within EU member states).
Directive (EU) 2015/863 (RoHS III)	Amending Directive 2011/65/EU to add four phthalates (DEHP, BBP, DBP, DIBP) to Annex II — compliant.
BS 1363-2:1995	13 A plugs, socket-outlets, adaptors and connection units. Specification for 13 A switched and unswitched socket-outlets
Directive 2008/98/EC (WFD)	Waste Framework Directive — compliant. Implemented in the UK through the Waste (England and Wales) Regulations 2011 (SI 2011 No. 988).
ECHA SCIP Database	Compliant; product does not contain SVHCs (Substances of Very High Concern) as defined under REACH Article 33(1). Submission obligations met under EU REACH and UK REACH.

Excel 5 Way Horizontal PDU 5x UK Socket Passive 13A UK Plug Switched

Part Code: D13-5H-EXL

sales@excel-networking.com
excel-networking.com

Regulation (EU) 2019/1021 (POPs)

EU Regulation on Persistent Organic Pollutants — compliant. For Great Britain, compliance is aligned with the Persistent Organic Pollutants (Amendment) (EU Exit) Regulations 2020 (SI 2020 No. 1355).

UK SI 2012 No. 3032

The Restriction of the Use of Certain Hazardous Substances in Electrical and Electronic Equipment Regulations 2012 (UK RoHS) — compliant for Great Britain. Retained EU law, as amended by the Product Safety and Metrology (Amendment etc.) (EU Exit) Regulations 2019.

Part Code Table

Part Code	Description
D13-10-EXL	Excel 10 Way Vertical PDU 10x UK Socket Passive 13A UK Plug Switched
D13-12-EXL	Excel 12 Way Vertical PDU 12x UK Socket Passive 13A UK Plug Switched
D13-4-EXL	Excel 4 Way Vertical PDU 4x UK Socket Passive 13A UK Plug Switched
D13-4H-EXL	Excel 4 Way Horizontal PDU 4x UK Socket Passive 13A UK Plug Switched
D13-5-EXL	Excel 5 Way Vertical PDU 5x UK Socket Passive 13A UK Plug Switched
D13-5H-EXL	Excel 5 Way Horizontal PDU 5x UK Socket Passive 13A UK Plug Switched
D13-6-EXL	Excel 6 Way Vertical PDU 6x UK Socket Passive 13A UK Plug Switched
D13-6H-EXL	Excel 6 Way Horizontal PDU 6x UK Socket Passive 13A UK Plug Switched
D13-7H-EXL	Excel 7 Way Horizontal PDU 7x UK Socket Passive 13A UK Plug Switched
D13-8-EXL	Excel 8 Way Vertical PDU 8x UK Socket Passive 13A UK Plug Switched