

Excel Rack Mounted 3 Way Fan Unit Black

Part Code: IVU3-BK

sales@excel-networking.com
excel-networking.com

CIBSE TM65 Embodied Carbon: 24.951 kg CO2e



Main Features

- / 1u Rack mount height
- / Choice of colours
- / Supplied with mains lead
- / CIBSE TM65 Embodied Carbon: 24.951 kg CO2e

Product Overview

19" rack mountable fan tray with three fans. Cage nuts and screws are included for mounting. Supplied with neon light fitted to the front of the panel. Supplied with mains lead fitted with UK style BS1363 plug to IEC320 plug.

This allows the power lead to be replaced for a longer lead or different country type as appropriate.

Product Specifications

Feature	Values
---------	--------

Excel Rack Mounted 3 Way Fan Unit Black

Part Code: IVU3-BK

sales@excel-networking.com
excel-networking.com

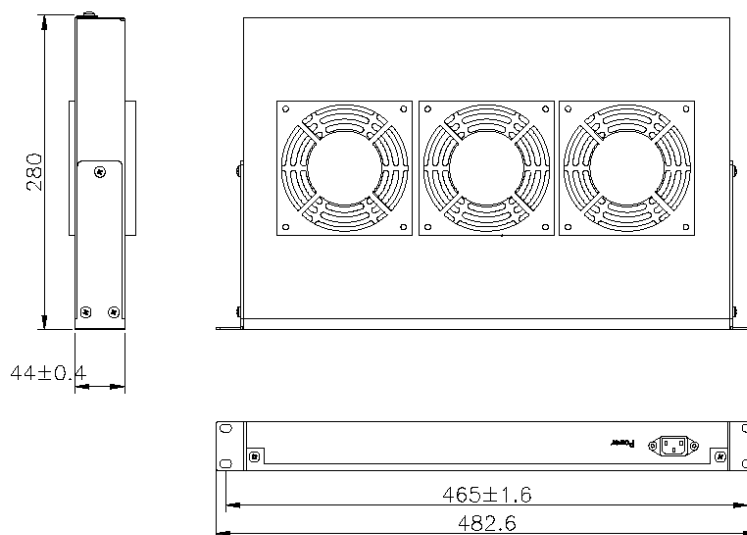
Number of fans	3
Operating voltage at AC 50 Hz	230...230 V
Voltage type	AC
Roof mounted	no
Volume flow, freeblowing	78...84 m3/hr
Rated power	88 W
Mounting method	Screw mounting
Suitable for 19 inch rack mounting	yes
Colour	Black
Width	482 mm
Height	44.45 mm
Depth	280 mm

Excel Rack Mounted 3 Way Fan Unit Black

Part Code: IVU3-BK

sales@excel-networking.com
excel-networking.com

Product drawing



Standards

Applicable standard	Detail
Directive 2011/65/EU (RoHS II)	Restriction of the Use of Certain Hazardous Substances in Electrical and Electronic Equipment — compliant. Applies within EU member states).
Directive (EU) 2015/863 (RoHS III)	Amending Directive 2011/65/EU to add four phthalates (DEHP, BBP, DBP, DIBP) to Annex II — compliant.
Directive 2008/98/EC (WFD)	Waste Framework Directive — compliant. Implemented in the UK through the Waste (England and Wales) Regulations 2011 (SI 2011 No. 988).
ECHA SCIP Database	Compliant; product does not contain SVHCs (Substances of Very High Concern) as defined under REACH Article 33(1). Submission obligations met under EU REACH and UK REACH.
Regulation (EU) 2019/1021 (POPs)	EU Regulation on Persistent Organic Pollutants — compliant. For Great Britain, compliance is aligned with the Persistent Organic Pollutants (Amendment) (EU Exit)

Excel Rack Mounted 3 Way Fan Unit Black

Part Code: IVU3-BK

sales@excel-networking.com
excel-networking.com

Regulations 2020 (SI 2020 No. 1355).

UKSI 2012 No. 3032

The Restriction of the Use of Certain Hazardous Substances in Electrical and Electronic Equipment Regulations 2012 (UK RoHS) — compliant for Great Britain. Retained EU law, as amended by the Product Safety and Metrology (Amendment etc.) (EU Exit) Regulations 2019.

Part Code Table

Part Code	Description
IVU3	Excel Rack Mounted 3 Way Fan Unit Grey
IVU3-BK	Excel Rack Mounted 3 Way Fan Unit Black