

# Excel Environ WR390 Flat Packed Wall Rack Network Cabinet 12U 390 mm Deep Black

Item Code: **WBFP12.390SGB**

**excel**  
without compromise.



✕ Choice of depths available (390 mm, 500 mm, 600 mm)

✕ Available in Black or Grey

✕ Aesthetically pleasing framed safety glass front door (IK08 Glass doors)

✕ Quick release doors and side panel

✕ Adjustable front and rear 19" mounting profiles

✕ Removable cable entry panel in top and base

## Product Overview

WBFP12.390SGB Excel Environ WR390 Wall Rack Network Cabinet Flat Packed 12U WxD 570 mm x 390 mm Black, part of a huge range of Network Data Cabinets available from Mayflex. The Excel Environ WR is a range of wall-mounted 570 mm wide racks designed for the installation of both cabling and equipment.

The WR series of Wall Racks is available in depths of 390 mm, 500 mm and 600 mm and is suitable for multiple applications including local area networking (LAN) cabling and hardware, and the housing of security, audio and visual equipment.

## Product Specifications

Feature	Values
Mounting Profile	Front and rear
Model	With permanent frame
Type of profile rail	L-shaped
Number of doors	1
Type of ventilation	Passive
Width	570 mm
Height	635 mm
Depth	390 mm

# Excel Environ WR390 Flat Packed Wall Rack Network Cabinet 12U 390 mm Deep Black

Item Code: **WBFP12.390SGB**



Modular spacing	19 inch
Number of rack units (RU)	12
Max. load capacity	60 kg
With roof plate	yes
With earthing	no
With front door	yes
Side panels included	yes
Flat-packed	yes
Material	Steel
Type of surface	Powder coated
Colour	Black
RAL-number	9004
IP-rating	IP20

## Additional specifications

Features	Values
Frame	1.20 mm
Top cover and fan entry plate	1.20 mm
19" mounting angles	1.50 mm
Side panels	1.20 mm
Front door frame	1.20 mm
Front door glass	5.00 mm
Cable Entry Knock Out (Roof & Base)	230 mm x 45 mm

## Standards

Standard	Detail
BS EN 60297-3-100:2009	Mechanical structures for electronic equipment. Dimensions of mechanical structures of the 482,6 mm (19 in) series. Basic dimensions of front panels, subracks, chassis, racks and cabinets
BS 3193:2008	Specification for thermally toughened glass panels for use in domestic appliances
IEC 62262: 2002	Degrees of protection provided by enclosures for electrical

# Excel Environ WR390 Flat Packed Wall Rack Network Cabinet 12U 390 mm Deep Black

Item Code: **WBFP12.390SGB**



equipment against external mechanical impacts (IK code)

RoHS-II/-III (2011/65/EU & 2015/863): 2023

Our products, demonstrate full adherence to the regulatory stipulations of the EU Directive 2011/65/EU (RoHS-II) and its corresponding delegated directive 2015/863 (RoHS-III).

WFD: 2023

Compliant to Waste Framework Directive

SCIP: 2023

Compliant - Does Not Contain Substances of Concern In articles as such or in complex objects (Products)

POPs (EU) No 2019/1021

EU Regulation for the restriction of Persistent Organic Pollutants.

# Excel Environ WR390 Flat Packed Wall Rack Network Cabinet 12U 390 mm Deep Black

Item Code: **WBFP12.390SGB**

**excel**  
without compromise.

## Product images



- Aesthetically pleasing design with framed glass front door



- Lockable, quick release side panels, for maximum access into cabinet



- Cable entry cut out in top and base

- Angled vented roof

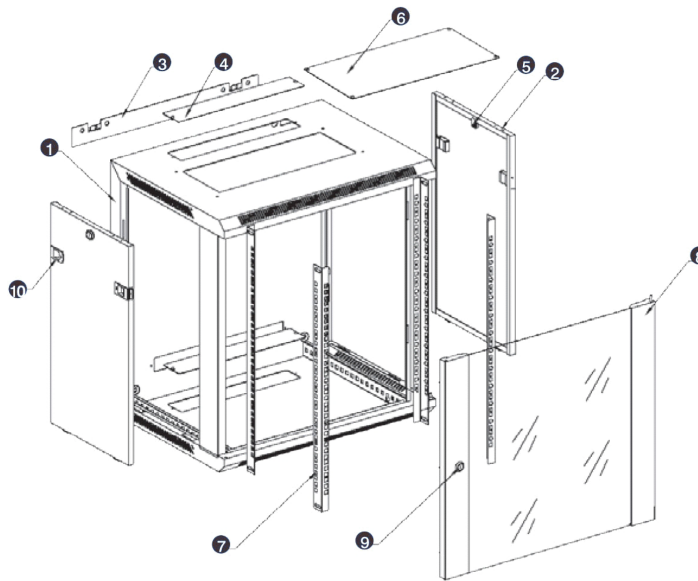
- Adjustable 19" mounting profiles

# Excel Environ WR390 Flat Packed Wall Rack Network Cabinet 12U 390 mm Deep Black

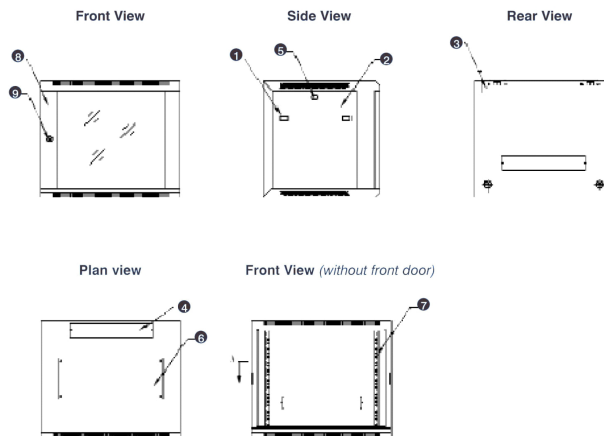
Item Code: **WBF12.390SGB**



## Exploded view



- ① Frame
- ② Side panel
- ③ Mounting panel
- ④ Cable entry cover, removeable
- ⑤ Side key lock
- ⑥ Fan cover, removeable
- ⑦ Mounting profile
- ⑧ Front door
- ⑨ Front door key lock
- ⑩ Slam latch lock



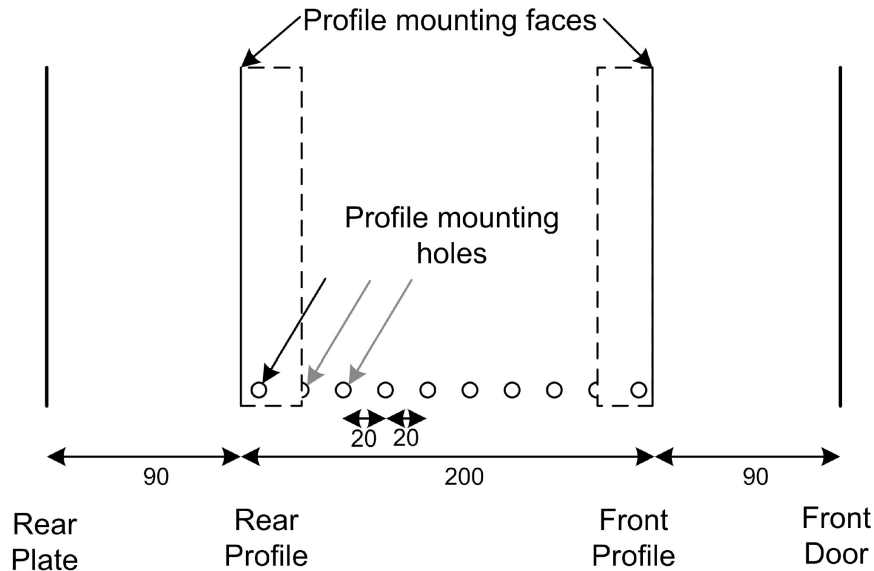
- ① Slam latch lock
- ② Side panel
- ③ Mounting panel
- ④ Cable entry cover, removeable
- ⑤ Side key lock
- ⑥ Fan cover, removeable
- ⑦ Mounting profile
- ⑧ Front door
- ⑨ Front door key lock

# Excel Environ WR390 Flat Packed Wall Rack Network Cabinet 12U 390 mm Deep Black

Item Code: **WBFP12.390SGB**



## Product drawings



All dimensions in mm

## Part Number Table

Part Number	Description
WB12.390SG	Excel Environ WR390 Wall Rack Network Data Cabinet 12U 390 mm Deep Grey
WB12.390SG-BK	Excel Environ WR390 Wall Rack Network Data Cabinet 12U 390 mm Deep Black
WB15.390SG	Excel Environ WR390 Wall Rack Network Data Cabinet 15U 390 mm Deep Grey
WB15.390SG-BK	Excel Environ WR390 Wall Rack Network Data Cabinet 15U 390 mm Deep Black
WB18.390SG	Excel Environ WR390 Wall Rack Network Data Cabinet 18U 390 mm Deep Grey
WB18.390SG-BK	Excel Environ WR390 Wall Rack Network Data Cabinet 18U 390 mm Deep Black
WB21.390SG	Excel Environ WR390 Wall Rack Network Data Cabinet 21U 390 mm Deep Grey
WB21.390SG-BK	Excel Environ WR390 Wall Rack Network Data Cabinet 21U 390 mm Deep Black

# Excel Environ WR390 Flat Packed Wall Rack Network Cabinet 12U 390 mm Deep Black

Item Code: **WBFP12.390SGB**



WB6.390SG	Excel Environ WR390 Wall Rack Network Data Cabinet 6U 390 mm Deep Grey
WB6.390SG-BK	Excel Environ WR390 Wall Rack Network Data Cabinet 6U 390 mm Deep Black
WB9.390SG	Excel Environ WR390 Wall Rack Network Data Cabinet 9U 390 mm Deep Grey
WB9.390SG-BK	Excel Environ WR390 Wall Rack Network Data Cabinet 9U 390 mm Deep Black
WBFP12.390SG	Excel Environ WR390 Flat Packed Wall Rack Network Cabinet 12U 390 mm Deep Grey
WBFP12.390SGB	Excel Environ WR390 Flat Packed Wall Rack Network Cabinet 12U 390 mm Deep Black
WBFP15.390SG	Excel Environ WR390 Flat Packed Wall Rack Network Cabinet 15U 390 mm Deep Grey
WBFP15.390SGB	Excel Environ WR390 Flat Packed Wall Rack Network Cabinet 15U 390 mm Deep Black
WBFP18.390SG	Excel Environ WR390 Flat Packed Wall Rack Network Cabinet 18U 390 mm Deep Grey
WBFP18.390SGB	Excel Environ WR390 Flat Packed Wall Rack Network Cabinet 18U 390 mm Deep Black
WBFP21.390SG	Excel Environ WR390 Flat Packed Wall Rack Network Cabinet 21U 390 mm Deep Grey
WBFP21.390SGB	Excel Environ WR390 Flat Packed Wall Rack Network Cabinet 21U 390 mm Deep Black
WBFP6.390SG	Excel Environ WR390 Flat Packed Wall Rack Network Cabinet 6U 390 mm Deep Grey
WBFP6.390SGB	Excel Environ WR390 Flat Packed Wall Rack Network Cabinet 6U 390 mm Deep Black
WBFP9.390SG	Excel Environ WR390 Flat Packed Wall Rack Network Cabinet 9U 390 mm Deep Grey
WBFP9.390SGB	Excel Environ WR390 Flat Packed Wall Rack Network Cabinet 9U 390 mm Deep Black

Excel is a world class premium performing end to end infrastructure solution designed, Manufactured, supported and delivered without compromise.

Contact us at [sales@excel-networking.com](mailto:sales@excel-networking.com)



E&OE. Excel is a registered trade name of Mayflex Holdings Ltd.