

# Excel WR400 Flat Packed Wall Rack Network Cabinet 6U 400 mm Deep Black

excel  
without compromise.

Part Code: WBFP6.4SGB

sales@excel-networking.com  
excel-networking.com



## Main Features

- / Choice of depths available (400 mm, 500 mm, 600 mm)
- / Quick release doors and side panel
- / Removable cable entry panel in top and base
- / Steel framed safety glass front door IK08
- / Adjustable front and rear 19" mounting profiles
- / Options for jacking feet or castors

## Product Overview

The Excel Environ WR400 wall rack network data cabinet, flat-packed, 6U, width x depth 570 mm x 400 mm, black, is part of a large range of network data cabinets available from Mayflex. The Excel Environ WR is a range of wall-mounted, 570 mm wide racks designed for the installation of both cabling and equipment. These wall boxes now have options for jacking feet and castors in the base of the unit.

The WR series of wall racks is available in depths of 400 mm, 500 mm, and 600 mm, and is suitable for multiple applications, including local area networking (LAN) cabling and hardware, and the housing of security, audio, and visual equipment.

# Excel WR400 Flat Packed Wall Rack Network Cabinet 6U 400 mm Deep Black

Part Code: **WBFP6.4SGB**

sales@excel-networking.com  
excel-networking.com

## Product Specifications

Feature	Values
Mounting Profile	<b>Front and rear</b>
Model	<b>With permanent frame</b>
Type of profile rail	<b>L-shaped</b>
Number of doors	<b>1</b>
Type of ventilation	<b>Passive</b>
Width	<b>570 mm</b>
Height	<b>368 mm</b>
Depth	<b>400 mm</b>
Modular spacing	<b>19 inch</b>
Number of rack units (RU)	<b>6</b>
Max. load capacity	<b>60 kg</b>
With roof plate	<b>yes</b>
With earthing	<b>no</b>
With front door	<b>yes</b>
Side panels included	<b>yes</b>
Flat-packed	<b>yes</b>
Material	<b>Steel</b>
Type of surface	<b>Powder coated</b>
Colour	<b>Black</b>
RAL-number	<b>9004</b>
IP-rating	<b>IP20</b>

# Excel WR400 Flat Packed Wall Rack Network Cabinet 6U 400 mm Deep Black

Part Code: **WBFP6.4SGB**

[sales@excel-networking.com](mailto:sales@excel-networking.com)  
[excel-networking.com](http://excel-networking.com)

## Additional specifications

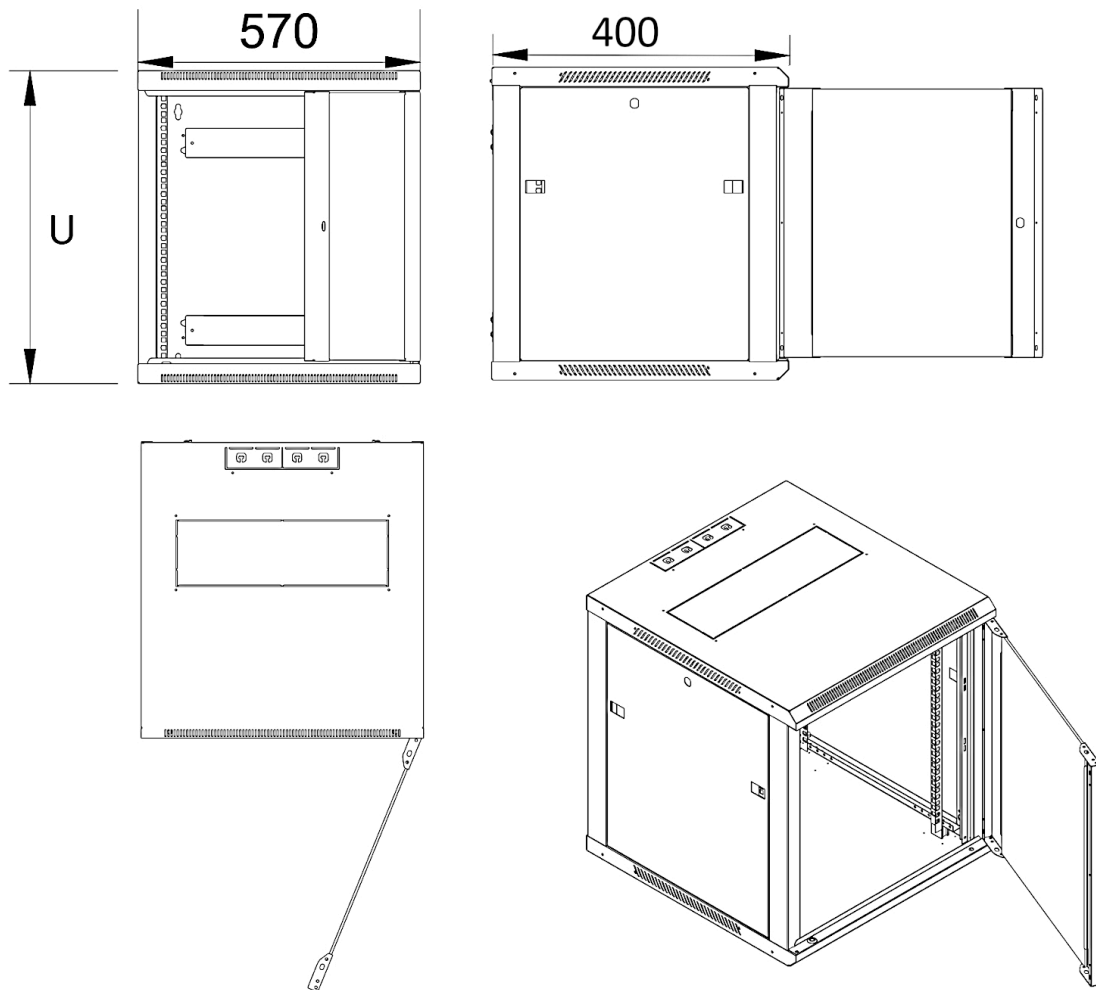
Feature	Value
Frame	<b>1.20 mm</b>
Top cover and fan entry plate	<b>1.20 mm</b>
19" mounting angles	<b>1.50 mm</b>
Side panels	<b>1.20 mm</b>
Front door frame	<b>1.20 mm</b>
Front door glass	<b>5.00 mm</b>
Cable entry knock out (Roof & Base)	<b>230 mm x 45 mm</b>

# Excel WR400 Flat Packed Wall Rack Network Cabinet 6U 400 mm Deep Black

Part Code: WBFP6.4SGB

sales@excel-networking.com  
excel-networking.com

## Product drawing

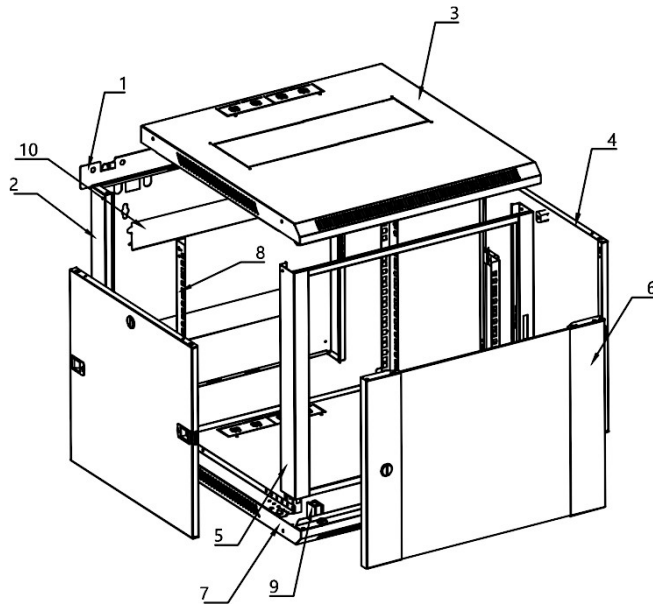


# Excel WR400 Flat Packed Wall Rack Network Cabinet 6U 400 mm Deep Black

Part Code: WBFP6.4SGB

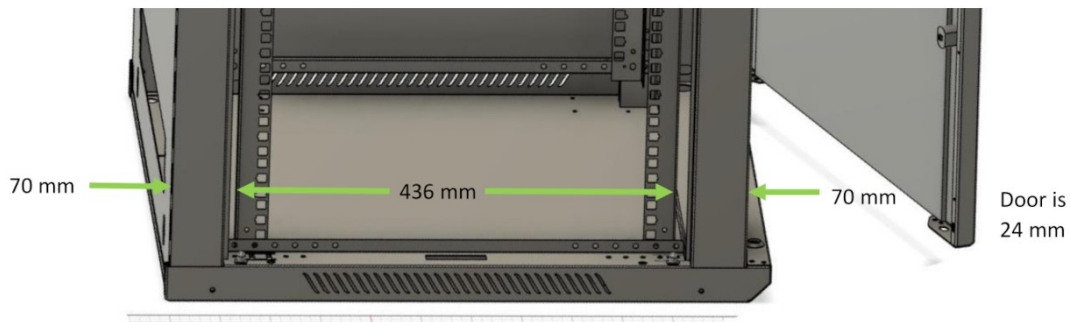
sales@excel-networking.com  
excel-networking.com

## Exploded view



- 1) Mounting Bracket
- 2) Back Panel
- 3) Roof Panel
- 4) Side Panel
- 5) Front Post Frame
- 6) Front Door
- 7) Bottom Panel
- 8) 19" Mounting Rails
- 9) Bottom support block
- 10) Cable Covers x 2

## Profile Positions



**600mm Wall Box**, pitch between profiles is **436mm** is default pitch, maximum is 456mm.

**500mm Wall Box**, pitch between profiles is **336mm** is default pitch, maximum is 356mm

**400mm Wall Box**, pitch between profiles is **236mm** in default pitch, maximum is 256mm

On 600mm Deep wall box, if rear profiles are moved forward by one position, that will give correct pitch from front profile to side holes which is 386mm, can use 542-021 or 542-026.

500mm Deep wall Boxes will not accept the 400mm Cantilever Shelf, use 542-022 fixed shelf.

For 400mm Deep Wall Boxes, only option is the small shelf 542-020.

# Excel WR400 Flat Packed Wall Rack Network Cabinet 6U 400 mm Deep Black

Part Code: WBFP6.4SGB

sales@excel-networking.com  
excel-networking.com

## Product images



Quality Glass Door with Lock



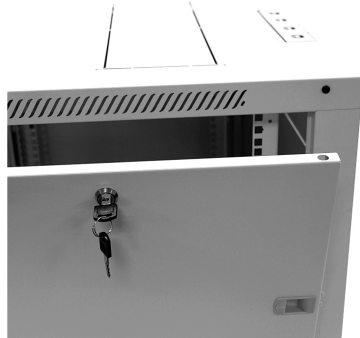
Quick Release Side Panels



Mounting Bracket and cable Entry



19" Profiles front and back



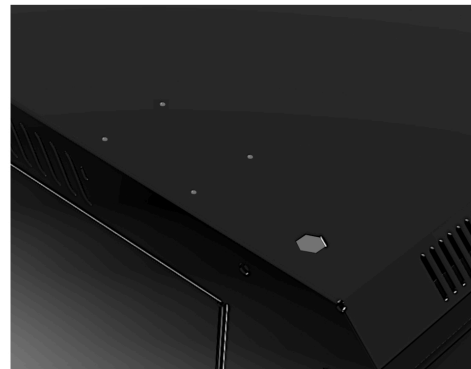
Side Panels Lockable with key



Roof Fan Tray opening and cable entry



Quality Finished Wall Box fully painted



Mounting holes in base for jacking feet or castors

# Excel WR400 Flat Packed Wall Rack Network Cabinet 6U 400 mm Deep Black

Part Code: **WBFP6.4SGB**

sales@excel-networking.com  
excel-networking.com

## Standards

Standard	Detail
BS EN 60297-3-100:2009	Mechanical structures for electronic equipment. Dimensions of mechanical structures of the 482,6 mm (19 in) series. Basic dimensions of front panels, subracks, chassis, racks and cabinets
BS 3193:2008	Specification for thermally toughened glass panels for use in domestic appliances
IEC 62262: 2002	Degrees of protection provided by enclosures for electrical equipment against external mechanical impacts (IK code)
Directive 2011/65/EU (RoHS II)	Restriction of the Use of Certain Hazardous Substances in Electrical and Electronic Equipment — compliant. Applies within EU member states).
Directive (EU) 2015/863 (RoHS III)	Amending Directive 2011/65/EU to add four phthalates (DEHP, BBP, DBP, DIBP) to Annex II — compliant.
Directive 2008/98/EC (WFD)	Waste Framework Directive — compliant. Implemented in the UK through the Waste (England and Wales) Regulations 2011 (SI 2011 No. 988).
ECHA SCIP Database	Compliant; product does not contain SVHCs (Substances of Very High Concern) as defined under REACH Article 33(1). Submission obligations met under EU REACH and UK REACH.
Regulation (EU) 2019/1021 (POPs)	EU Regulation on Persistent Organic Pollutants — compliant. For Great Britain, compliance is aligned with the Persistent Organic Pollutants (Amendment) (EU Exit) Regulations 2020 (SI 2020 No. 1355).
UK SI 2012 No. 3032	The Restriction of the Use of Certain Hazardous Substances in Electrical and Electronic Equipment Regulations 2012 (UK RoHS) — compliant for Great Britain. Retained EU law, as amended by the Product Safety and Metrology (Amendment etc.) (EU Exit) Regulations 2019.

# Excel WR400 Flat Packed Wall Rack Network Cabinet 6U 400 mm Deep Black

Part Code: **WBFP6.4SGB**

sales@excel-networking.com  
excel-networking.com

## Part Code Table

Part Code	Description
WB12.4SGB	Excel WR400 Wall Rack Network Data Cabinet 12U 400 mm Deep Black
WB6.4SG	Excel WR400 Wall Rack Network Data Cabinet 6U 400 mm Deep Grey
WB6.4SGB	Excel WR400 Wall Rack Network Data Cabinet 6U 400 mm Deep Black
WB9.4SGB	Excel WR400 Wall Rack Network Data Cabinet 9U 400 mm Deep Black
WBFP12.4SGB	Excel WR400 Flat Packed Wall Rack Network Cabinet 12U 400 mm Deep Black
WBFP6.4SG	Excel WR400 Flat Packed Wall Rack Network Cabinet 6U 400 mm Deep Grey
WBFP6.4SGB	Excel WR400 Flat Packed Wall Rack Network Cabinet 6U 400 mm Deep Black
WBFP9.4SGB	Excel WR400 Flat Packed Wall Rack Network Cabinet 9U 400 mm Deep Black